

MODEL: **Delabie DLB-956030**

# DELABIE

Delabie BINOPTIC sensor tap - BATTERY operated model

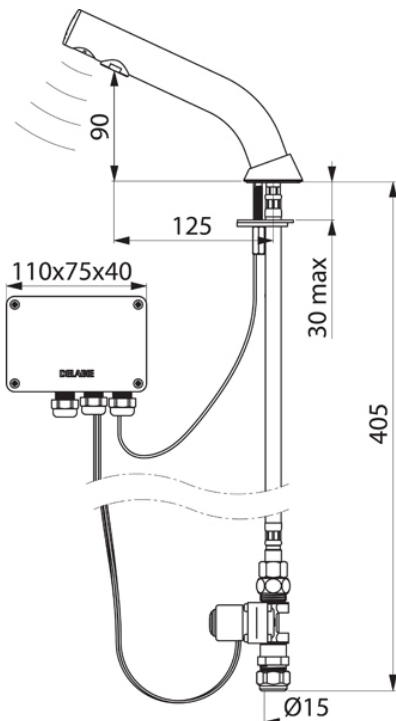
**Mount:** Deck mounted  
**Controls:** Battery operated  
**Tap type:** Binoptic sensor

**FEATURES & BENEFITS**

- Independent IP65 electronic control unit.
- 122 6V Lithium battery operated.
- 15mm connector for compression fittings.
- Flow rate pre-set at 3 lpm at 3 bar, can be adjusted from 1.5 to 6 lpm.
- Scale resistant flow straightener.
- Adjustable duty flush (pre-set flush ~60 sec. every 24hr after last use).
- Active, infrared presence detection, sensor at the end of the spout optimises detection.
- Chrome-plated brass body.
- PEX flexible with filter and solenoid valve.
- Reinforced fixing.
- Anti-blocking safety.
- Spout with smooth interior and low volume of water (reduces bacterial niches).

**TECHNICAL INFO**

- Connection(s): M3/8-inch.
- Drop height: 90mm.
- Spout length: 125mm.
- Flow rate: 3 lpm.



Dimensions are in millimeters. If a Cad file is required please visit [www.mechline.com](http://www.mechline.com).

**MAINTENANCE & CLEANING**

Cleaning chrome: Do not use abrasive, chlorine or acid-based cleaning products. Avoid contact with concentrated bleach. Clean with soapy water using a cloth or sponge.