

MODEL:

**Delabie DLB-5128T8**

# DELABIE

Delabie 3/8-inch mechanical mixer for sinks and troughs with lever control and swivelling spout

**Pedestal:** Single Hole  
**Mount:** Deck mounted  
**Water feed:** Twin  
**Controls:** Lever  
**Connections:** 3/8-inch  
**Tap type:** Monobloc Mixer  
**Spout:** Swivel  
**Accreditation:** WRAS

### FEATURES & BENEFITS

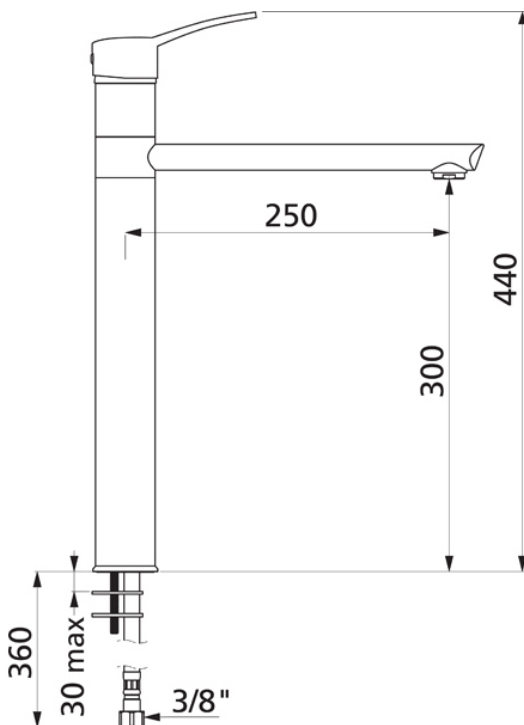
- Mechanical mixer for sinks and troughs with swivelling spout H. 300mm L. 250mm.
- High spout with hygienic flow straightener suitable for fitting a BIOFIL terminal filter.
- Body and spout with smooth interiors (reduced bacterial development).
- Chrome-plated body, base and spout.
- Flow rate limited to 9 lpm at 3 bar.
- Hygiene control lever L. 215mm requires no manual contact.
- Supplied with braided stainless steel PEX flexibles F3/8-inch.
- Reinforced fixings by 2 stainless steel rods and back-nuts.

### TECHNICAL INFO

- Connection(s): F3/8-inch.
- Height: 439mm.
- Drop height: 300mm.
- Spout length: 250mm.
- Flow rate: 9 lpm.

### MAINTENANCE & CLEANING

Cleaning chrome: Do not use abrasive, chlorine or acid-based cleaning products. Avoid contact with concentrated bleach. Clean with soapy water using a cloth or sponge.



Dimensions are in millimeters. If a Cad file is required please visit [www.mechline.com](http://www.mechline.com).



MECHLINE DEVELOPMENTS LIMITED

Tel: +44 (0)1908 261511 | Email: [info@mechline.com](mailto:info@mechline.com) | Web: [www.mechline.com](http://www.mechline.com)