

MODEL: **Delabie DLB-5044LSP**

DELABIE

Delabie 1/2-inch mechanical basin mixer with lever control and swivelling spout

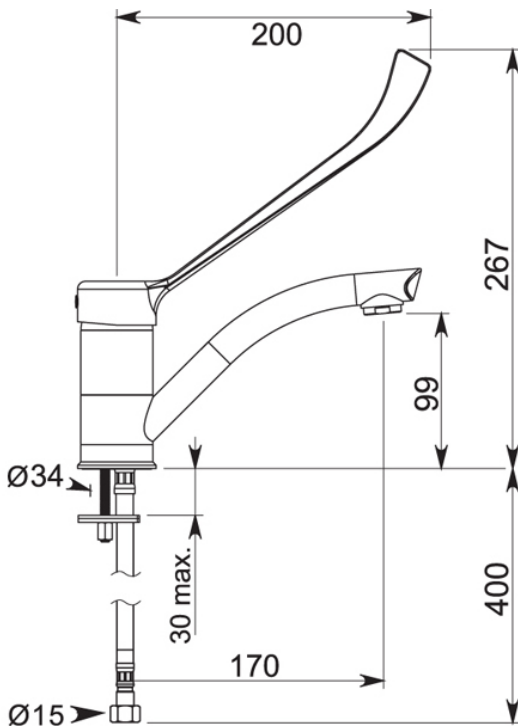
Pedestal: Single Hole
Mount: Deck mounted
Water feed: Twin
Controls: Lever
Connections: 1/2-inch
Tap type: Monobloc Mixer
Spout: Swivel
Accreditation: WRAS

FEATURES & BENEFITS

- Mechanical basin mixer with swivelling spout H. 95mm L. 170mm with hygienic flow straightener.
- Pre-set maximum temperature limiter.
- Body and spout with smooth interiors.
- Flow rate limited to 5 lpm at 3 bar.
- Hygiene control lever L. 200mm.
- Supplied with PEX flexibles F3/8-inch.
- Reinforced fixing via 2 stainless steel rods.

TECHNICAL INFO

- Connection(s): F3/8-inch.
- Height: 267mm.
- Drop height: 95mm.
- Spout length: 170mm.
- Flow rate: 5 lpm.



Dimensions are in millimeters. If a Cad file is required please visit www.mechline.com.

MAINTENANCE & CLEANING

Cleaning chrome: Do not use abrasive, chlorine or acid-based cleaning products. Avoid contact with concentrated bleach. Clean with soapy water using a cloth or sponge.