



## WMB3F/B - Lincat FilterFlow WMB Wall Mounted Automatic Fill Boiler - Black Glass - W 300 mm - 3.0 kW

The FilterFlow Automatic Wall Mounted Water Boiler is designed for small spaces and provides hot water on tap 24/7 as well as a built-in water filtration system.

- ✓ Exceptionally compact wall mounted design, perfect for locations with limited space
- ✓ High quality boiling water on tap 24 hours a day
- ✓ Built-in water filtration system improves water quality and reduces scale build-up
- ✓ Dispense temperature can be reduced to 70°C, perfect for delicate speciality teas
- ✓ High volume, easy change FilterFlow cartridge
- ✓ Allows extra room underneath the tap for larger cups, teapots, jugs and airpots to be filled
- ✓ Advanced diagnostics with LCD panel showing boiler status
- ✓ Cool-to-touch 6mm thick toughened glass fascia to withstand hard knocks

### Specifications

#### Summary

<b>Brand</b>	Lincat
<b>Range</b>	FilterFlow
<b>Series</b>	WMB Wall-mounted Boiler
<b>Power Type</b>	Electric
<b>Unit Type</b>	Wall-mounted
<b>Available in UK Only</b>	No
<b>UK Warranty</b>	2 Years Parts and Labour Warranty
<b>Export Warranty</b>	Contact your local dealer
<b>GTIN</b>	5056105101406

#### Power and Performance

<b>Total Power kW</b>	3.0
<b>Temperature Range °C</b>	70-96
<b>IP Rating</b>	IP23
<b>Hourly Output Litres</b>	31
<b>Hourly Output Cups</b>	205

#### Key Specifications

<b>Outlet</b>	Single Tap
<b>Dispense Lock</b>	No
<b>WRAS Approved</b>	No

#### Capacity

<b>Hot and Cold Water Output</b>	No
<b>Rapid Draw Off Litres</b>	3.5
<b>Rapid Draw Off Cups</b>	23
<b>Capacity Litres</b>	3.5

#### Weights and Dimensions

<b>Unit Height (External) mm</b>	413
<b>Unit Width (External) mm</b>	300
<b>Unit Depth (External) mm</b>	184
<b>Net Weight Kg</b>	8.7

#### Supply Connections

<b>Requires Installation</b>	Yes
<b>Requires Electrical Supply</b>	Yes
<b>UK 3 Pin Plug</b>	No
<b>Requires Hardwiring</b>	Yes
<b>Electrical Supply Rating Watts</b>	3,000
<b>Single Phase Amps</b>	13
<b>Single Phase Voltage</b>	230
<b>Water Connection Pressure Bar</b>	1.0-8.0
<b>Water Connection</b>	3/4"

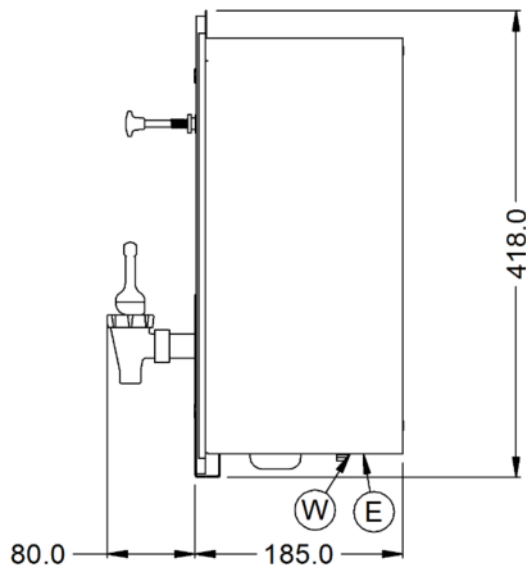
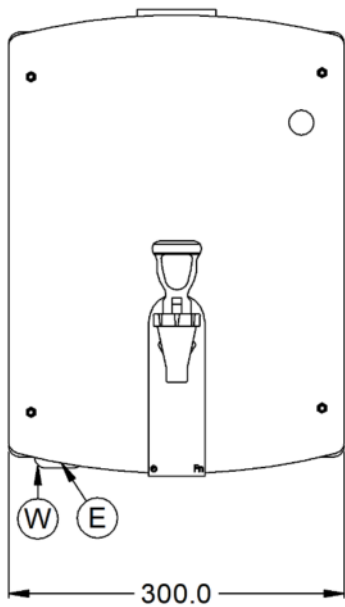
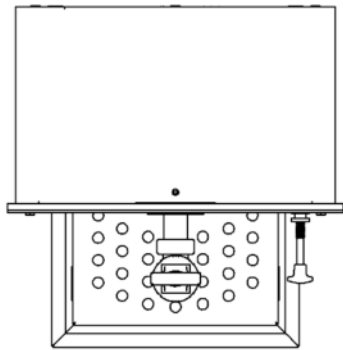
#### Shipping

<b>Packed Weight Kg</b>	10.5
<b>Packed Height cm</b>	42
<b>Packed Width cm</b>	48
<b>Packed Depth cm</b>	38

Available Accessories

DP10	DESCALER POWDER
DR72	WMB3F DRIP TRAY
FC02	Filter Cartridge for Lincat FilterFlow Water Boiler

Technical Picture





**Lincat Limited**

Whisby Road,  
Lincoln, LN6 3QZ,  
United Kingdom

**Company No:** 2175448

A member company of



**Customer Care**

**Tel:** +44 1522 875500  
**Email:** [care@lincat.co.uk](mailto:care@lincat.co.uk)

**Export Customers**

**Tel:** +44 1522 875536  
**Email:** [export@lincat.co.uk](mailto:export@lincat.co.uk)

**Opening Hours**

**Monday – Friday:**  
8.30am – 5pm