

## CS9

### 900mm Gas Salamander



CS9

- 900mm wide
- Dual high performance infrared burners
- Removable easy-clean bottom tray
- Independently controlled sides
- Flame failure protection on each burner
- Wall mounting bracket supplied
- Stainless steel finish
- Optional: Branding plate

#### OVERALL CONSTRUCTION

- Stainless steel exterior
- Vitreous enamelled control panel
- Aluminised steel interior
- Stainless steel crumb tray
- Chrome plated rack and rack supports
- Two individually controlled infra-red burners

#### CONTROLS

- Large easy use control knobs
- Dual controls with variable high to low burner setting
- Flame failure on each burner

#### CLEANING AND SERVICING

- Removable grill rack system, rack supports and crumb tray
- Easy clean stainless steel exterior
- Access to all parts from front of unit

#### Matching Products



CR9D



CR6C



CF2



CT9



C6D



C450



CP4



CS9 / C900-S



C6B



C300

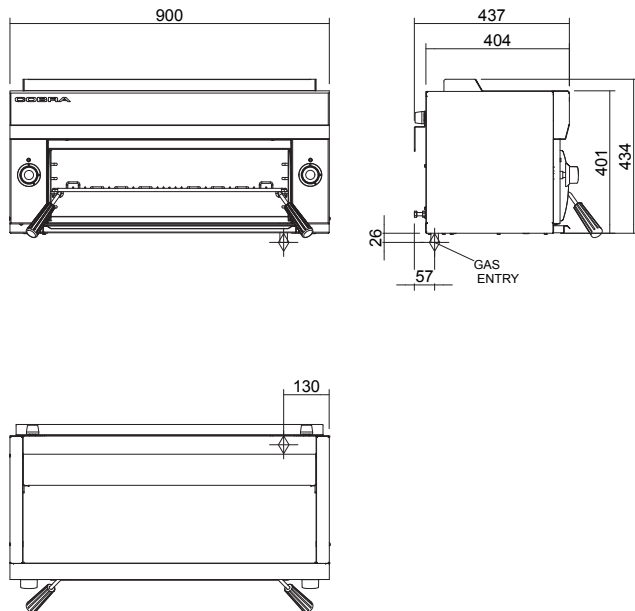
# COBRA®

YOUR STYLE, YOUR WAY



## CS9

### 900mm Gas Salamander



CS9

#### SPECIFICATIONS

##### Burners

2 x 4.4kW

##### Gas power

Natural gas

8.8kW (nett), 33,350 Btu/hr (gross)

Propane gas

8.8kW (nett), 32,650 Btu/hr (gross)

##### Gas flow rate

Natural gas 0.84m<sup>3</sup>/hr

Propane gas 0.63kg/hr

##### Cooking area

Rack size:

610mm x 310mm 1890cm<sup>2</sup>

##### Gas connection

R $\frac{1}{2}$ " (BSP) female

130mm from right side,

25mm from rear

##### Dimensions

Width 900mm

Height 434mm

Depth 404mm

(437 with wall mounting bracket)

##### Nett weight

42kg

##### Packing data

0.32m<sup>3</sup>, 69kg

Width 940mm

Depth 520mm

Height 640mm

##### Gas types

Available in Natural gas and Propane

gas, please specify when ordering

Other gas types on request

Options at extra cost

Branding Plate

[blue-seal.co.uk](http://blue-seal.co.uk)

United Kingdom

[blue-seal.co.uk](http://blue-seal.co.uk)

Blue Seal Limited

Unit 67

Gravelly Business Park

Gravelly

Birmingham B24 8TQ

England

Telephone 0121-327 5575

Facsimile 0121-327 9711

[sales@blue-seal.co.uk](mailto:sales@blue-seal.co.uk)

Australia

[moffat.com.au](http://moffat.com.au)

Moffat Pty Limited

740 Springvale Road

Mulgrave, Victoria 3170

Australia

Telephone +613-9518 3888

Facsimile +613-9518 3833

[vsales@moffat.com.au](mailto:vsales@moffat.com.au)

New Zealand

[moffat.co.nz](http://moffat.co.nz)

Moffat Limited

Rolleston

45 Illinois Drive

Izone Business Hub

Rolleston 7675

Telephone +64 3-983 6600

Facsimile +64 3-983 6660

[sales@moffat.co.nz](mailto:sales@moffat.co.nz)



ISO9001  
Quality  
Management  
Standard

Designed and manufactured by



ISO9001

All Cobra products are designed and manufactured by Moffat using the internationally recognised ISO9001 quality management system, covering design, manufacture and final inspection, ensuring consistent high quality at all times.

In line with policy to continually develop and improve its products, Moffat Limited reserves the right to change specifications and design without notice.



© Copyright Moffat Ltd  
UK.C.01.19 / 1622

an Ali Group Company



The Spirit of Excellence