



**T&S BRASS AND BRONZE WORKS, INC.**  
 2 Saddleback Cove / P.O. Box 1088  
 Travelers Rest, SC 29690

Model No.  
**UK-2DP00**

Item No.

Travelers Rest, SC: 800-476-4103 • Simi Valley, CA: 800-423-0150 • Fax: 864-834-3518 • www.tsbrass.com



This Space for Architect/Engineer Approval

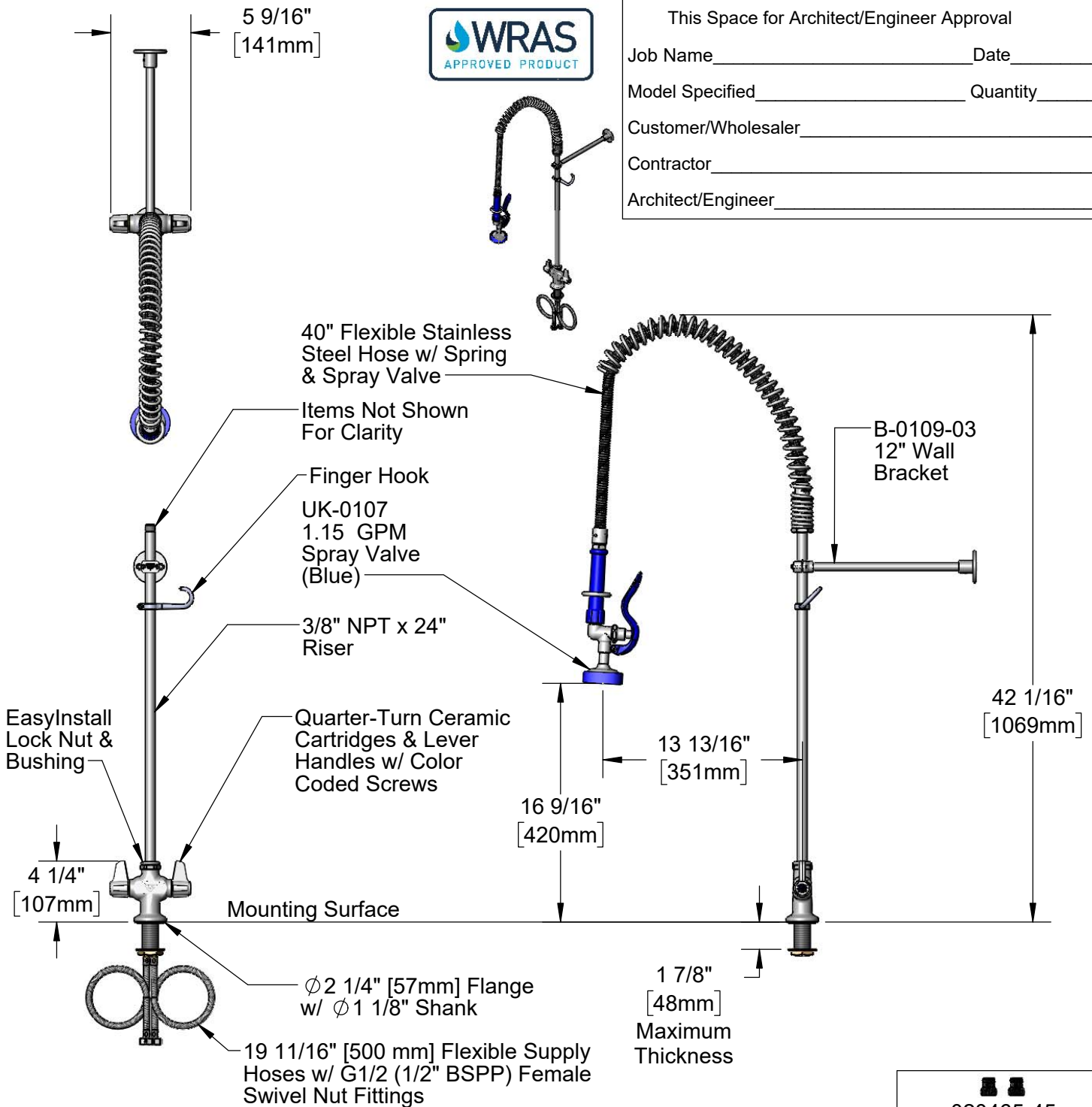
Job Name \_\_\_\_\_ Date \_\_\_\_\_

Model Specified \_\_\_\_\_ Quantity \_\_\_\_\_

Customer/Wholesaler \_\_\_\_\_

Contractor \_\_\_\_\_

Architect/Engineer \_\_\_\_\_



Rough-In Requirement:  
 Ø 1 1/2" [38mm] Mounting Hole

020465-45  
 Check Valve  
 Adapters (Included)

Product Specifications:  
 Pre-Rinse Unit: EasyInstall Single Hole Deck Mount Mixing Faucet, Quarter-Turn Ceramic Cartridges, Euro Lever Handles, 40" Flexible Stainless Steel Hose, 1.15 GPM Spray Valve (Blue), 12" Wall Bracket, (2) 19 11/16" Flexible Supply Hoses Inlets w/ G1/2 (1/2" BSPP) Female Swivel Fittings & Check Valves

Product Compliance:  
 WRAS Approved Product (UK)

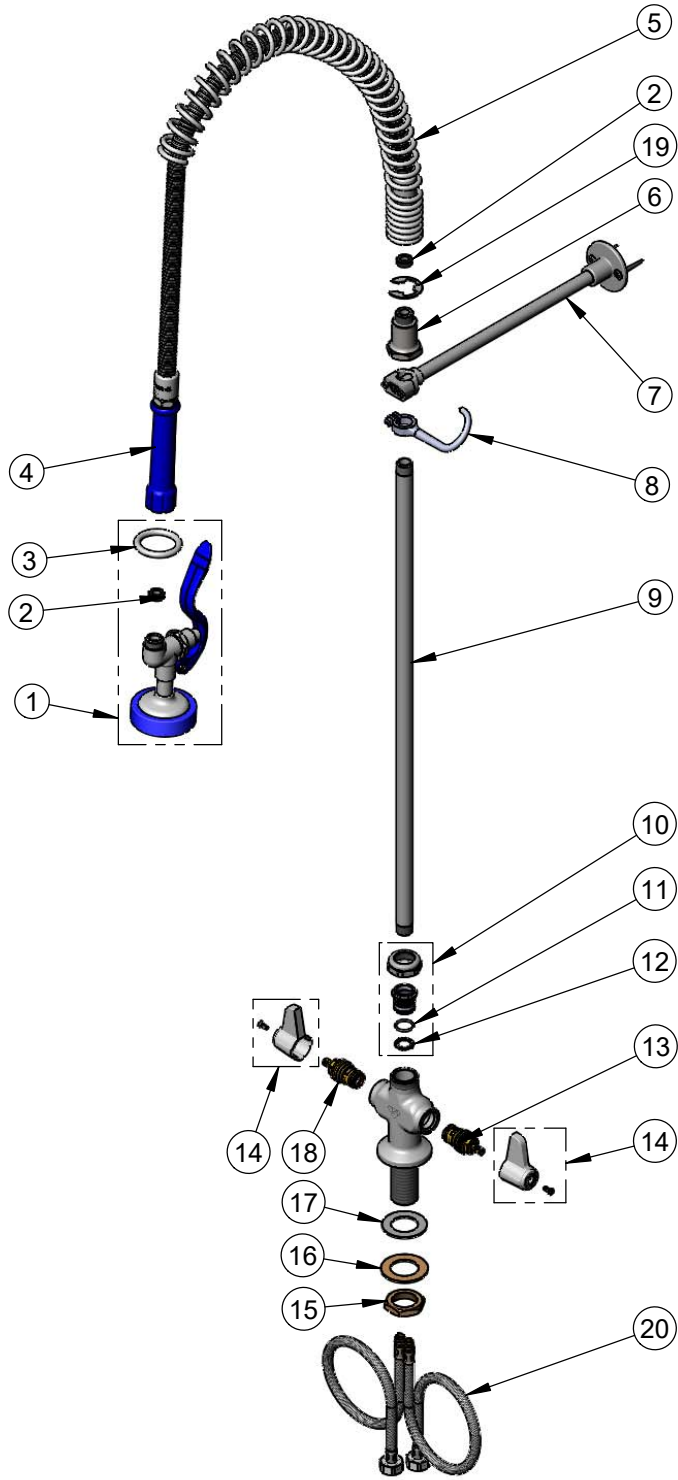


**T&S BRASS AND BRONZE WORKS, INC.**  
 2 Saddleback Cove / P.O. Box 1088  
 Travelers Rest, SC 29690

Model No.  
**UK-2DP00**

Item No.

Travelers Rest, SC: 800-476-4103 • Simi Valley, CA: 800-423-0150 • Fax: 864-834-3518 • www.tsbrass.com



ITEM NO.	SALES NO.	DESCRIPTION
1	UK-0107	1.15 GPM Spray Valve (Blue)
2	010476-45	#27 Washer
3	000907-45	Spray Valve Hold Down Ring
4	UK-0040-H	40" Flexible Stainless Steel Hose w/ Blue Handle
5	000888-45	EasyInstall Overhead Spring
6	000821-40	Spring Body
7	B-0109-03	12" Wall Bracket
8	004R	Finger Hook
9	000372-40	3/8" NPT x 24" Riser
10	EU-EZ-K	Euro EasyInstall Kit: Nut, Bushing, O-Ring & Lock Washer
11	001062-45	O-Ring
12	014200-45	Star Washer, Anti-Rotation
13	013788-45	equip Quarter-Turn Ceramic Cartridge, LTC
14	E-HDL-L	Euro Lever Handle w/ Color Coded Screws
15	000965-45	Lock Nut
16	002290-45	Lock Washer
17	014612-45	Deck Seal
18	013787-45	equip Quarter-Turn Ceramic Cartridge, RTC
19	019389-45	E-Style Retaining Ring
20	012436-45DR	Flexible Connector Hose
21	020465-45	Check Valve Adapter

**Product Specifications:**  
 Pre-Rinse Unit: EasyInstall Single Hole Deck Mount Mixing Faucet, Quarter-Turn Ceramic Cartridges, Euro Lever Handles, 40" Flexible Stainless Steel Hose, 1.15 GPM Spray Valve (Blue), 12" Wall Bracket, (2) 19 11/16" Flexible Supply Hoses Inlets w/ G1/2 (1/2" BSPP) Female Swivel Fittings & Check Valves

**Product Compliance:**  
 WRAS Approved Product (UK)