

MODEL: **AquaTechnix TX-PR-30D-SS-BF2**

# AQUATECHNIX

AquaTechnix Pre-Rinse Spray. DOME head operated TX-PR-30D base / SUPER SHORT height / BF2 bowl filler H: 658mm

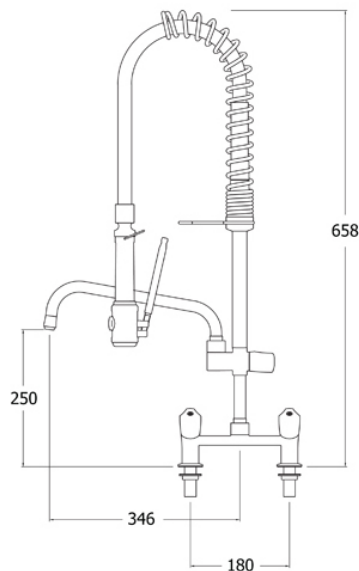
**Model range:** TX-30  
**Base:** TX-PR-30D  
**Height:** Super Short  
**Bowl filler:** 300mm bowl filler (BF2)  
**Pedestal:** Twin  
**Mount:** Deck mounted  
**Water feed:** Twin  
**Controls:** Dome  
**Connect:** 1/2-inch  
**Accredita:** WRAS

### FEATURES & BENEFITS

- Ergonomic in design and functionality.
- Modern, hygienic and practical design comes pre-assembled ready to install.
- All assembled models are factory tested up to 6 bar for quality assurance.
- Complete interchangeability between all bodies, spouts and pre-rinse means that product use can easily be changed on site at a later date.
- Includes PosiStop protected lever and dome heads for long life and reliability for all models and Brass Back Nuts
- Choice of height and bowl filler available

### TECHNICAL INFO

- Connections: 1/2-inch
- Height: 658mm
- Recommended static water pressure range: 1.5 - 5 bar
- Flow rates for all TX-PR-30 models - tested at 3 bar pressure: SPRAY GUN WATER-SAVING face plate: 4.52 l/m. SPRAY GUN STANDARD face plate: 7.84 l/m. BOWL FILLER WATER-SAVING diffuser: 3.74 l/m. BOWL FILLER STANDARD diffuser: 9.33 l/m. Water-saving diffuser for bowl filler included.



Dimensions are in millimeters. If a Cad file is required please visit [www.mechline.com](http://www.mechline.com).

### MAINTENANCE & CLEANING

Cleaning chrome: Do not use abrasive, chlorine or acid-based cleaning products. Avoid contact with concentrated bleach. Clean with soapy water using a cloth or sponge.



MECHLINE DEVELOPMENTS LIMITED

Tel: +44 (0)1908 261511 | Email: [info@mechline.com](mailto:info@mechline.com) | Web: [www.mechline.com](http://www.mechline.com)