

MODEL:

AquaTechnix TX-B-106D

AQUATECHNIX

AquaTechnix DOME head faucet tap TX-B-10 base with 150mm swivel spout. H: 269mm

Model range: TX-10
Base: TX-B-10
Pedestal: Single Hole
Mount: Deck mounted
Water feed: Single Monobloc
Controls: Dome
Connections: 1/2-inch
Tap type: Monobloc
Spout: 150mm swivel
Accreditation: WRAS

FEATURES & BENEFITS

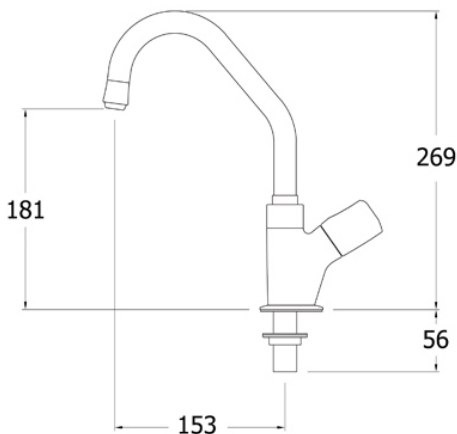
- Ergonomic in design and functionality.
- Modern, hygienic and practical design comes pre-assembled ready to install.
- All assembled models are factory tested up to 6 bar for quality assurance.
- Complete interchangeability between all bodies, spouts and pre-rinses means that product use can easily be changed on site at a later date.
- Includes PosiStop protected lever and dome heads for long life and reliability for all models

TECHNICAL INFO

- Connection: 1/2-inch
- Height: 269mm
- Recommended static water pressure range: 1.5 - 5 bar
- Flow rates for all TX-B-10 models - tested at 3 bar pressure: Fitted with WATER-SAVING diffuser: 4.11 l/m (INCLUDED) Fitted with STANDARD diffuser: 10.84 l/m

MAINTENANCE & CLEANING

Cleaning chrome: Do not use abrasive, chlorine or acid-based cleaning products. Avoid contact with concentrated bleach. Clean with soapy water using a cloth or sponge.



Dimensions are in millimeters. If a Cad file is required please visit www.mechline.com.



MECHLINE DEVELOPMENTS LIMITED

Tel: +44 (0)1908 261511 | Email: info@mechline.com | Web: www.mechline.com