

Work Benches & Centre Tables

TL711U



TL714 shown with ST300 fitted to left and ST100 fitted to right



ST100



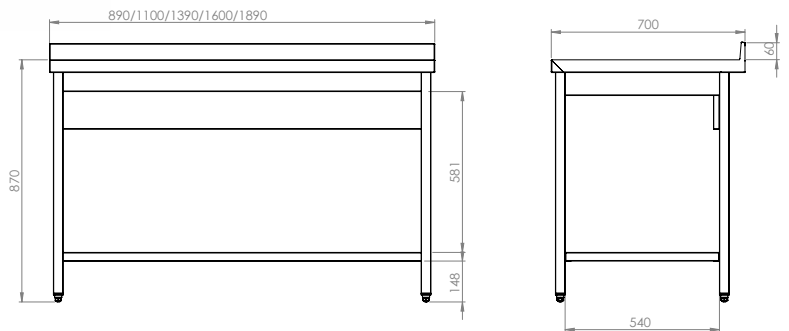
ST300



**304
STAINLESS
STEEL**

FEATURES

- High grade AISI 304 stainless steel construction
- Adjustable feet
- 5 lengths from 890mm - 1890mm
- Wall benches 60mm upstand
- Supplied flat packed for easy assembly on site



MODEL	DESCRIPTION	DIMENSIONS (H x W x D mm)	WEIGHT (kg)	RRP
TL709U	Wall bench	930* x 890 x 700	28	
TL711U		930* x 1100 x 700	38	
TL714U		930* x 1390 x 700	47	
TL716U		930* x 1600 x 700	52	
TL719U		930* x 1890 x 700	60	
* Note: Height including upstand				
TL709	Centre table	870 x 890 x 700	29	
TL711		870 x 1100 x 700	37	
TL714		870 x 1390 x 700	45	
TL716		870 x 1600 x 700	50	
TL719		870 x 1890 x 700	58	
ST100	Single drawer unit	157 x 451 x 665	-	
ST300	3 drawers unit	580 x 457 x 665	-	

Note: drawer unit sold on a supply only basis, will require fitting to table on site.