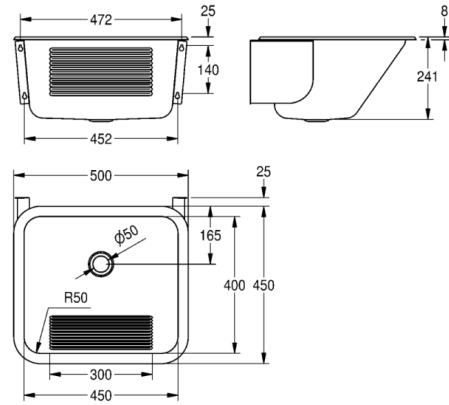


# SIRIUS utility sink

MODEL RANGE: SIRIUS | SIRX340 | 207.0000.056

Utility sinks | Multi purpose sink



General purpose utility sink for wall mounting, stainless steel, surface satin finished, material thickness 0.9 mm, front panel with riffle, 1 1/2" flat perforated waste, prewelded mounting brackets.

Dimensions 500 x 241 x 450 mm (W x H x D)

## Technical data

Bowl height	240.00 mm
Bowl width	400.00 mm
Bowl depth	450.00 mm
Material thickness	0.90 mm
Overall depth	475.00 mm
Overall height	241.00 mm
Overall width	500.00 mm
Waste hole projection	190.00 mm
Material	Stainless steel
Material code	1.4301 Chrome Nickel steel V2A
Tailor made	No
Tap ledge	No
Type of mounting	Wall mounting
Waste hole position	Center back
Bowl position	Center
Bowl finish	Satin finish
Overflow	No
Rear upstand	No
Splash back	No
Surface finish	Satin finished
Type of waste kit	Perforated waste
Waste kit included	Yes
Waste size	DN 40
Bowl construction	Radius corners
Brushes	Without brushes
Drainer or storage	No
Grid	No
Number of waste holes	1.00000
Outlet size	G 1 1/2 B
Wash riffle	Yes
Spillway	No
Sump	No
Sump basket	No
Type of utility sink	Multi purpose sink
Number of wash places	1.00000
Product code	207.0000.056