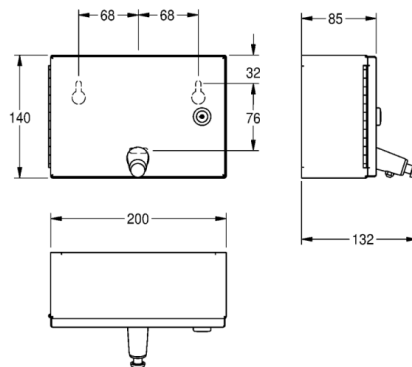


# RODAN soap dispenser for wall mounting

MODEL RANGE: RODAN | RODX619 | 201.0000.017

Accessories | Soap dispensers



Soap dispenser for wall mounting, stainless steel, surface satin finished, material thickness 0.8 mm, folded front cover, cylinder lock with Franke standard key, suitable for liquid soaps and lotions, 1 liter soap tank, push button on front, includes stainless steel screws and dowels.

Dimensions 200 x 140 x 132 mm (W x H x D)

## Technical data

Material thickness	0.80 mm
Overall depth	132.00 mm
Overall height	140.00 mm
Overall width	200.00 mm
Material	Stainless steel
Material code	1.4301 Chrome Nickel steel V2A
Tailor made	No
Type of mounting	Wall mounting
Surface finish	Satin finished
Type of fixing	Screw
Filling quantity	1.00000
Filling quantity uom	Liter
Lock	Key-lock
Type of consumable	Liquid soap
Type of operation	Manual operation
Type of soap container	Integrated refillable tank
Product code	201.0000.017

# RODAN soap dispenser for wall mounting

MODEL RANGE: RODAN | RODX619 | 201.0000.017

Accessories | Soap dispensers

---

## Consumable

---



---

### Liquid soap

2000057168

SO10L

---