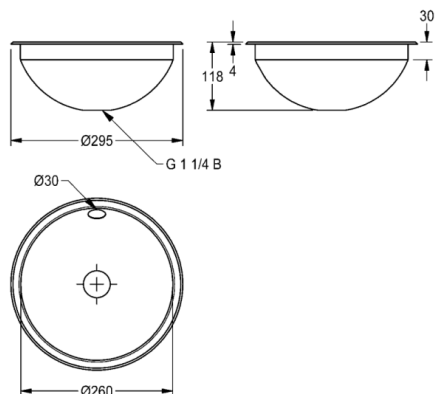


RONDO round sink

MODEL RANGE: RONDO | RNDX260 | 203.0000.142

Washbasins & Washtroughs | Wash basins



Round inset vanity basin, can be mounted from top or underneath, stainless steel, material thickness 1 mm, bowl diameter 260 mm, with overflow, inclusive 5/4" overflow kit without waste, stainless steel lugs for underneath mounting are included.

Dimensions 295 x 118 mm (D x H)

Output diameter for mounting from top 275 mm

Output diameter for mounting from underneath 251 mm

Surface satin finished

Technical data

Bowl height	118.00 mm
Bowl depth	260.00 mm
Bowl width	260.00 mm
Material thickness	1.00 mm
Overall depth	295.00 mm
Overall height	118.00 mm
Overall width	295.00 mm
Waste hole projection	147.00 mm
Material	Stainless steel
Material code	1.4301 Chrome Nickel steel V2A
Tailor made	No
Tap ledge	No
Waste hole position	Center
Bowl position	Center
Bowl finish	Satin finish
Bowl shape	Circle
Colour	No colour
Number of bowls	1.00000
Overflow	Yes
Rear upstand	No
Siphon included	No
Splash back	No
Surface finish	Satin finished
Number of tap holes	0.00000
Waste kit included	No
Waste size	DN 32
Product code	203.0000.142