



P089X - Lincat Electric Counter-top Pizza Oven - Twin-Deck - W 810 mm - 5.7 kW

Transport yourself to the Centro Storico district of Naples with the authentic taste of the pizzas from the Lincat Twin-Deck Electric Pizza Oven.

- ✓ Ideal for restaurants, pizzerias, takeaways, fast food outlets, canteens and leisure establishments
- ✓ Perfect for deep pan, thin crust, fresh dough, part baked or frozen pizzas, as well as a variety of other foods such as ciabatta, naan, garlic bread, lasagna, jacket potatoes, pies, pasties and pastries
- ✓ Firebrick base for crisp, even cooking of pizza bases and a maximum temperature of 400°C
- ✓ Independent controls for each deck. Independently controlled top and base of oven compartment for each deck
- ✓ Thermostatic control and temperature display gauge to monitor oven temperature more accurately
- ✓ Fully insulated doors for energy efficiency and safe operation
- ✓ 20 minute audible timer

Specifications

Summary Power and Performance

Brand	Lincat	Total Power kW	5.7
Range	Specialist	Temperature Range °C	80-400
Power Type	Electric	IP Rating	IP23
Unit Type	Counter-top	Temperature Control	Mechanical
Available in UK Only	No	Oven Rating kW	5.7
UK Warranty	2 Years Parts and Labour Warranty		
Export Warranty	Contact your local dealer		
GTIN	5056105103752		

Key Specifications Capacity

Number of Decks	2	Pizza Capacity	4 x 9" pizzas per deck
------------------------	---	-----------------------	------------------------

Weights and Dimensions Supply Connections

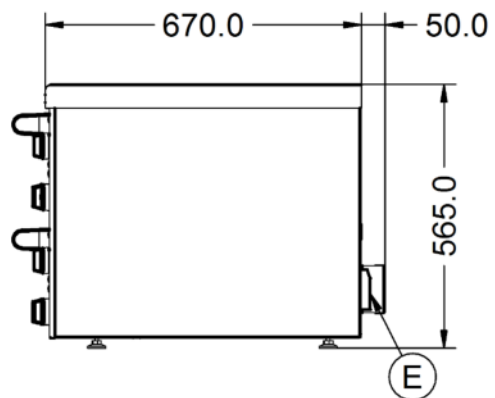
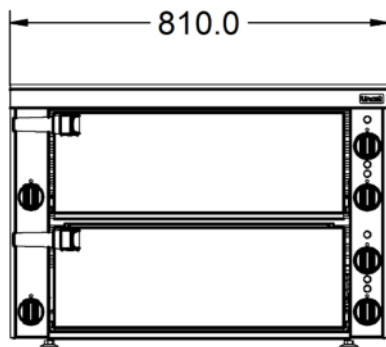
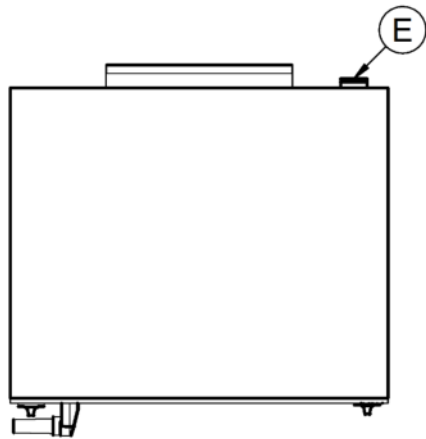
Unit Height (External) mm	565	Requires Installation	Yes
Unit Width (External) mm	810	Requires Electrical Supply	Yes
Unit Depth (External) mm	720	UK 3 Pin Plug	No
Height (Internal) mm	175	Requires Hardwiring	Yes
Width (Internal) mm	550	Electrical Supply Rating Watts	5,700
Depth (Internal) mm	540	Single Phase Amps	24.8
Net Weight Kg	88.8	Single Phase Voltage	230
		Three Phase Amps	L1=7.6; L2=9.6; L3=7.6
		Three Phase Voltage	400

Shipping

Packed Weight Kg	97.68
Packed Height cm	73
Packed Width cm	94.5
Packed Depth cm	90

Available Accessories

Technical Picture





Lincat Limited

Whisby Road,
Lincoln, LN6 3QZ,
United Kingdom

Company No: 2175448

A member company of



Customer Care

Tel: +44 1522 875500
Email: care@lincat.co.uk

Export Customers

Tel: +44 1522 875536
Email: export@lincat.co.uk

Opening Hours

Monday – Friday:
8.30am – 5pm