



P8P3PT - Lincat Panther 800 Series Free-standing Hot Cupboard - Plain Top - W 1205 mm - 1.5 kW

Helping to cater in demanding environments such as cafeterias, canteens and restaurants, the Panther 800 Series Hot Cupboard is perfect for plating and garnishing and as a pass to front of house staff, while it also provides extra workspace or can be used as a mobile workstation.

- ✓ Helping to cater in demanding environments such as cafeterias, canteens and restaurants
- ✓ Accurate digital electronic control of the hot cupboard temperature, adjustable between 20 and 99 °C, ensures compliance with food hygiene regulations
- ✓ Pass through model with removable sliding doors to both sides provide enhanced workflow efficiency
- ✓ Double skinned construction provides efficient heat retention and a cool to touch exterior - safe and energy efficient. Removable doors and shelves allow access to the fully stainless steel interior for easy cleaning
- ✓ Fan assisted hot cupboard provides even heat distribution, fast heat up and recovery times, and lower energy usage. Four shelf positions allow adjustment to meet individual needs.
- ✓ Fully 1/1 GN compatible hot cupboard for operational efficiency. Units available to take 3 x 1/1 GN containers up to 150mm deep.
- ✓ Supplied with two heavy duty multi-section chrome plated rod shelves capable of taking the heaviest loads

Specifications

Summary

Brand	Lincat
Range	Panther
Series	800 Series
Power Type	Electric
Unit Type	Free-standing
Available in UK Only	No
UK Warranty	2 Years Parts and Labour Warranty
Export Warranty	Contact your local dealer
GTIN	5056105103561

Power and Performance

Total Power kW	1.50
Temperature Range °C	20-99
IP Rating	IP24
Temperature Control	Electronic

Key Specifications

Number of Shelves included	2
Number of Shelf Positions	4
Heated Base	Yes
Heated Gantry	No
Static or Mobile	Mobile

Capacity

Plate Capacity	316
-----------------------	-----

Weights and Dimensions

Unit Height (External) mm	900
Unit Width (External) mm	1205
Unit Depth (External) mm	850
Height (Internal) mm	432
Width (Internal) mm	1,020
Depth (Internal) mm	512
Shelf Dimensions Width mm	980
Shelf Dimensions Depth mm	512
Net Weight Kg	113

Supply Connections

Requires Installation	No
Requires Electrical Supply	Yes
UK 3 Pin Plug	Yes
Requires Hardwiring	No
Electrical Supply Rating Watts	1,500
Single Phase Amps	6.5
Single Phase Voltage	230

Shipping

Packed Weight Kg	133
Packed Height cm	110
Packed Width cm	123
Packed Depth cm	90

Available Options

Overshelf or Gantry

PG3A	PG3A - Ambient Gantry
PG3H	PG3H - Heated Gantry
PS3A1	PS3A1 - 1 Ambient Overshelf
PS3A2	PS3A2 - 2 Ambient Overshelves
PS3A3	PS3A3 - 3 Ambient Overshelves
PS3H1	PS3H1 - 1 Heated Overshelf
PS3H2	PS3H2 - 2 Heated Overshelves
PS3H3	PS3H3 - 3 Heated Overshelves

Door Locks

PDL3	PDL3 - Lockable Door
-------------	----------------------

Corner Guards

PCG	PCG - Corner Guards [Set of Four]
------------	-----------------------------------

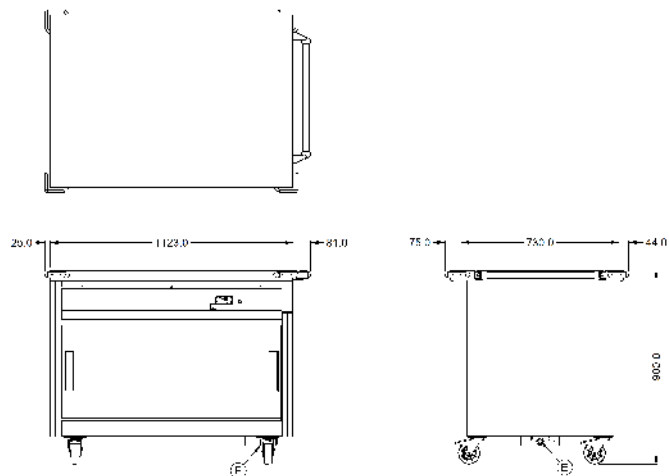
Legs/Castors

PLK	PLK - Legs [non chargeable]
------------	-----------------------------

Available Accessories

PLK/S	PLK/S - LEG KIT [FOR CONVERSION IN THE FIELD]
--------------	---

Technical Picture



Lincat Limited

Whisby Road,
Lincoln, LN6 3QZ,
United Kingdom

Company No: 2175448

A member company of



Customer Care

Tel: +44 1522 875500
Email: care@lincat.co.uk

Export Customers

Tel: +44 1522 875536
Email: export@lincat.co.uk

Opening Hours

Monday – Friday:
8.30am – 5pm