



## P8B4 - Lincat Panther 800 Series Free-standing Hot Cupboard - Bain Marie Top - 4GN - W 1530 mm - 4.9 kW

Helping to cater in demanding environments such as cafeterias, canteens and restaurants, the Panther 800 Series Hot Cupboard / Bain Marie is an effective way of holding food at the desired temperature, and is perfect for holding carvery and breakfast items either for self service or for back service.

- ✔ Helping to cater in demanding environments such as cafeterias, canteens and restaurants
- ✔ Fan assisted hot cupboard provides even heat distribution, fast heat up and recovery times, and lower energy usage. Four shelf positions allow adjustment to meet individual needs.
- ✔ Fully 1/1 GN compatible hot cupboard for operational efficiency. Units available to take 4 x 1/1 GN containers up to 150mm deep.
- ✔ Thermostatically controlled bain marie top can be operated with wet or dry heat. Accurate digital electronic control of the hot cupboard temperature, adjustable between 20 and 99 °C, ensures compliance with food hygiene regulations
- ✔ Double skinned construction provides efficient heat retention and a cool to touch exterior - safe and energy efficient. Removable doors and shelves allow access to the fully stainless steel interior for easy cleaning
- ✔ Supplied with two heavy duty multi-section chrome plated rod shelves capable of taking the heaviest loads
- ✔ Drain tap located inside the hot cupboard allows fast and easy draining

### Specifications

Summary		Power and Performance	
<b>Brand</b>	Lincat	<b>Total Power kW</b>	4.90
<b>Range</b>	Panther	<b>Temperature Range °C</b>	20-99
<b>Series</b>	800 Series	<b>IP Rating</b>	IP24
<b>Power Type</b>	Electric	<b>Temperature Control</b>	Top: Mechanical; Bottom: Electronic
<b>Unit Type</b>	Free-standing		
<b>Available in UK Only</b>	No		
<b>UK Warranty</b>	2 Years Parts and Labour Warranty		
<b>Export Warranty</b>	Contact your local dealer		
<b>GTIN</b>	5056105103493		

Key Specifications		Capacity	
<b>Drain Location</b>	Right side interior mounted	<b>Gastronorm Capacity</b>	4 x GN1/1
<b>Number of Shelves included</b>	2	<b>Plate Capacity</b>	396
<b>Number of Shelf Positions</b>	4		
<b>Pot Type</b>	Gastronorm		
<b>Type of Heat</b>	Wet/Dry		
<b>Heated Base</b>	Yes		
<b>Heated Gantry</b>	No		
<b>Static or Mobile</b>	Mobile		

**Weights and Dimensions** **Supply Connections**

<b>Unit Height (External) mm</b>	912	<b>Requires Installation</b>	Yes
<b>Unit Width (External) mm</b>	1530	<b>Requires Electrical Supply</b>	Yes
<b>Unit Depth (External) mm</b>	850	<b>UK 3 Pin Plug</b>	No
<b>Height (Internal) mm</b>	432	<b>Requires Hardwiring</b>	Yes
<b>Width (Internal) mm</b>	1,345	<b>Electrical Supply Rating Watts</b>	4,900
<b>Depth (Internal) mm</b>	512	<b>Single Phase Amps</b>	21.5
<b>Shelf Dimensions Width mm</b>	1,286	<b>Single Phase Voltage</b>	230
<b>Shelf Dimensions Depth mm</b>	512		
<b>Net Weight Kg</b>	120		

**Shipping**

<b>Packed Weight Kg</b>	135
<b>Packed Height cm</b>	110
<b>Packed Width cm</b>	155
<b>Packed Depth cm</b>	90

**Available Options**

**Overshelf or Gantry**

<b>PG4A</b>	PG4A - Ambient Gantry
<b>PG4H</b>	PG4H - Heated Gantry
<b>PS4A1</b>	PS4A1 - 1 Ambient Overshelf
<b>PS4A2</b>	PS4A2 - 2 Ambient Overshelves
<b>PS4A3</b>	PS4A3 - 3 Ambient Overshelves
<b>PS4H1</b>	PS4H1 - 1 Heated Overshelf
<b>PS4H2</b>	PS4H2 - 2 Heated Overshelves
<b>PS4H3</b>	PS4H3 - 3 Heated Overshelves

**Door Locks**

<b>PDL4</b>	PDL4 - Lockable Door
-------------	----------------------

**Corner Guards**

<b>PCG</b>	PCG - Corner Guards[Set of Four]
------------	----------------------------------

**Trayslides**

<b>PTS4</b>	PTS4 - Tray Slide
-------------	-------------------

**Legs/Castors**

<b>PLK</b>	PLK - Legs[non chargeable]
------------	----------------------------

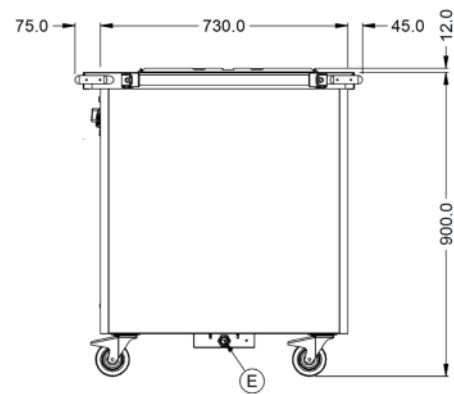
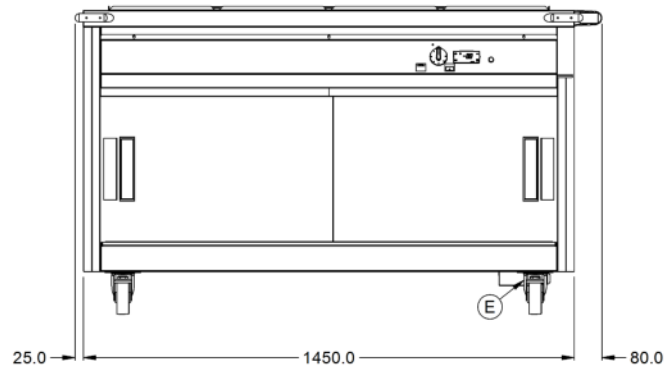
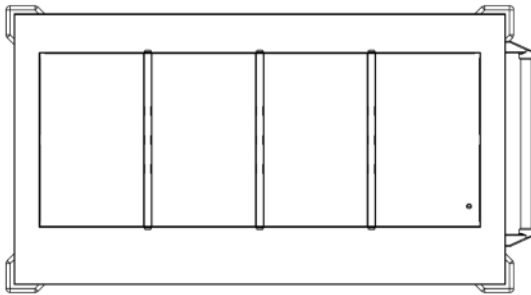
**Available Accessories**

<b>CP16</b>	CP16 - CARVERY PAD[1/1 GASTRONORM SIZE]
<b>PGK1</b>	PGK1 - GASTRONORM PACK
<b>PGK10</b>	PGK10 - GASTRONORM PACK
<b>PGK11</b>	PGK11 - GASTRONORM PACK
<b>PGK12</b>	PGK12 - GASTRONORM PACK
<b>PGK2</b>	PGK2 - GASTRONORM PACK
<b>PGK3</b>	PGK3 - GASTRONORM PACK
<b>PGK8</b>	PGK8 - GASTRONORM PACK
<b>PGK9</b>	PGK9 - GASTRONORM PACK
<b>PHTC</b>	PHTC - CERAMIC INSERT [1/1 GASTRONORM SIZE]

Available Accessories

<b>PHTG</b>	PHTG - GLASS INSERT [1/1 GASTRONORM SIZE]
<b>PLK/S</b>	PLK/S - LEG KIT [FOR CONVERSION IN THE FIELD]
<b>PPB8</b>	PPB8 - ADDITIONAL PUSHBAR

Technical Picture





**Lincat Limited**

Whisby Road,  
Lincoln, LN6 3QZ,  
United Kingdom

**Company No:** 2175448

A member company of



**Customer Care**

**Tel:** +44 1522 875500  
**Email:** care@lincat.co.uk

**Export Customers**

**Tel:** +44 1522 875536  
**Email:** export@lincat.co.uk

**Opening Hours**

**Monday – Friday:**  
8.30am – 5pm