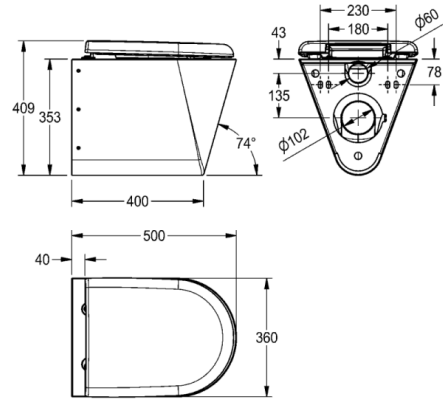
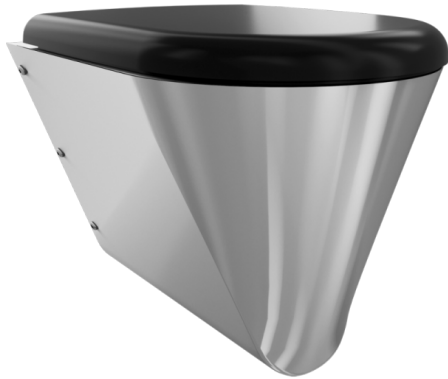


# CAMPUS Wall hung WC pan

MODEL RANGE: HEAVYDUTY | HDTX592B | 205.0000.022

WCs and urinals | WCs



Wall hung WC pan, hidden mounting with stainless steel rods through wall, fixing and service via maintenance room, stainless steel, surface satin finished, material thickness 1.6 mm, flushing certificated to EN 997, concealed flushing rim with min. 4 liter flushing capacity, with a shrouded 100 mm diameter horizontal 'P' trap outlet, pressed seat area tapered towards centre, all edges curved, fixing with 280 mm stainless steel rods and screw nuts (included) through the wall. 4 litre flush EN997 approved.

With black seat and lid

## Technical data

|                           |                                |
|---------------------------|--------------------------------|
| Material thickness        | 1.60 mm                        |
| Overall depth             | 500.00 mm                      |
| Overall height            | 348.00 mm                      |
| Overall width             | 360.00 mm                      |
| Material                  | Stainless steel                |
| Material code             | 1.4301 Chrome Nickel steel V2A |
| Tailor made               | No                             |
| Surface finish            | Satin finished                 |
| Outlet size               | DN 100                         |
| Inlet size                | DN 55                          |
| Type of toilet seat       | Synthetic hinged seat with lid |
| Type of WC                | Wall hung                      |
| Minimum flushing capacity | 4.00 liter                     |
| Product code              | 205.0000.022                   |