



## GR3 - Lincat Silverlink 600 Electric Counter-top Salamander Grill - W 600 mm - 2.8 kW

The Silverlink 600 Electric Salamander Grill boasts even heat distribution for maximum output, meaning that producing perfectly grilled meat, fish, and toast has never been as simple or stress-free.

- ✔ Even heat distribution for maximum output and even cooking making it perfect for grilling and toasting a wide range of products
- ✔ 5 shelf positions to give maximum flexibility for all catering operations
- ✔ Chrome wire shelf to allow trays and food to be placed on for cooking
- ✔ Removable roasting rack and crumb tray, making it effortless to keep clean
- ✔ Stainless steel interior for ease of cleaning at the end of service
- ✔ Cool touch handles for safety

### Specifications

Summary		Power and Performance	
Brand	Lincat	Total Power kW	2.8
Range	Silverlink 600	IP Rating	IP34
Power Type	Electric	Cooking Area (Width x Depth) mm	410 x 230
Unit Type	Counter-top	Temperature Control	Mechanical
Available in UK Only	No		
UK Warranty	2 Years Parts and Labour Warranty		
Export Warranty	Contact your local dealer		
GTIN	5056105100140		

Key Specifications		Capacity	
Number of Shelves included	1	Product Output per Hour	50 x 115g [4oz] burgers [frozen], 18 x 225g [8oz]
Number of Shelf Positions	5		
Number of Heat Zones	1		

Weights and Dimensions		Supply Connections	
Unit Height (External) mm	314	Requires Installation	No
Unit Width (External) mm	600	UK 3 Pin Plug	Yes
Unit Depth (External) mm	350	Requires Hardwiring	No
Shelf Dimensions Width mm	410	Electrical Supply Rating Watts	2,800
Shelf Dimensions Depth mm	230	Single Phase Amps	12.20
Net Weight Kg	18.2	Single Phase Voltage	230

Shipping	
Packed Weight Kg	20.02
Packed Height cm	49.5
Packed Width cm	70
Packed Depth cm	55

### Available Accessories

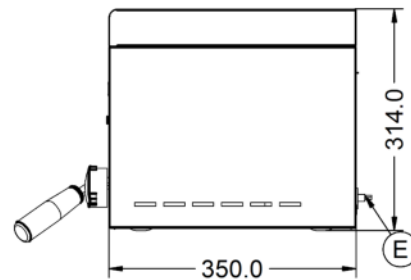
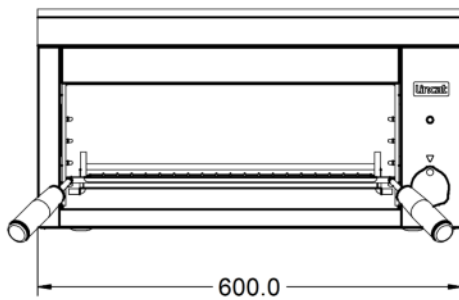
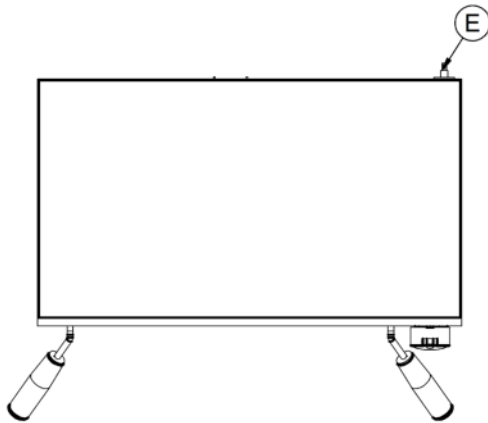
ABP03	BRANDING PLATE KIT
BR15	Wall Bracket for LGT/GR3
GR3/BS	BENCH STAND FOR GR3 - H410,D350,W605
GR3/FS	FLOOR STAND FOR GR3 - H1260,D350,W605

**Available Accessories**

GR3/WS

Wall Shelf for GR3

**Technical Picture**





**Lincat Limited**

Whisby Road,  
Lincoln, LN6 3QZ,  
United Kingdom

**Company No:** 2175448

A member company of



**Customer Care**

**Tel:** +44 1522 875500  
**Email:** care@lincat.co.uk

**Export Customers**

**Tel:** +44 1522 875536  
**Email:** export@lincat.co.uk

**Opening Hours**

**Monday – Friday:**  
8.30am – 5pm