



## GAS GRILLS



### MODELS and ACCESSORIES

**G3212** - Grill

**G3532** - Grill

- Floor stand
- Stainless steel legs
- Wall bracket
- Grid shelf / brander carrier
- Additional brander

### KEY FEATURES

- High performance burner systems
  - ideal for flashing and finishing
- Variable heat settings
  - save energy when full heat is not required
- Supplied with reversible brander
  - extends cooking versatility
- Five position shelf runners
  - allows flexible cooking options
- Gastronorm compatible
  - perfect for bulk products
- Oil collection tray mounted upon grid shelf
  - catches any liquid grease from brander cooking
- Removable drip tray
  - catches debris and grease during grilling
- All stainless steel exterior, cast iron chamber linings
  - easy to clean, long lasting and robust
- Three mounting options available
  - wall bracket, legs and grill stand

### INSTALLATION NOTES

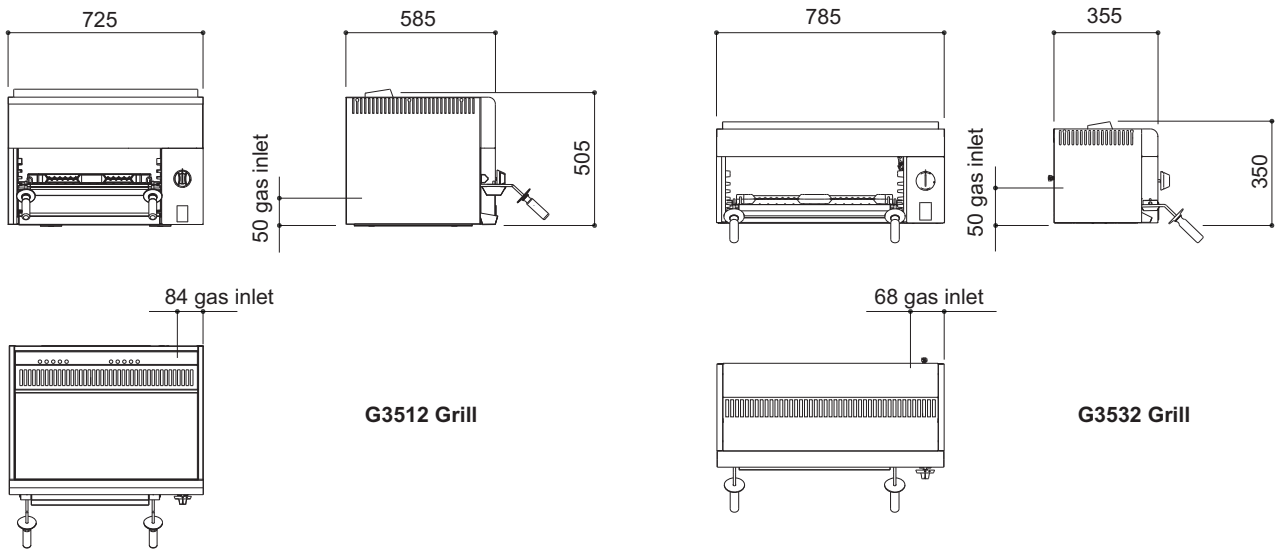
Adequate ventilation must be provided to supply sufficient fresh air and to allow easy removal of any such products that may present a risk to health. Please consult current legislation for details that relate to specific locations.

A clearance of 150mm should be observed between appliance and any combustible wall.





### MODEL DIMENSIONS (in mm)



### SPECIFICATION DETAILS

	<b>G3512</b>	<b>G3532</b>
Total rating * (natural and propane - kW)	9.4	7.4
Total rating * (natural and propane - btu/hr)	32,100	25,000
Inlet size (natural and propane)	1/2" BSP	1/2" BSP
Flow rate - natural (m <sup>3</sup> /hr)	0.90	0.70
Flow rate - propane (kg/hr)	0.66	0.52
Inlet pressure (natural and propane - mbar)	20 / 37	20 / 37
Operating pressure (natural and propane - mbar)	15 / 37	15 / 37
Brander (w x d - mm)	450 x 410	540 x 275
Gastronorm compatibility	1/1	n/a
Bench leg height (mm)	308	300
Stand height (mm)	1090	1060
Weight (kg)	60	33
Packed weight (kg)	64	37