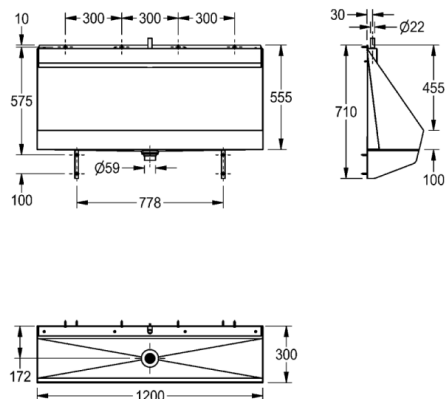
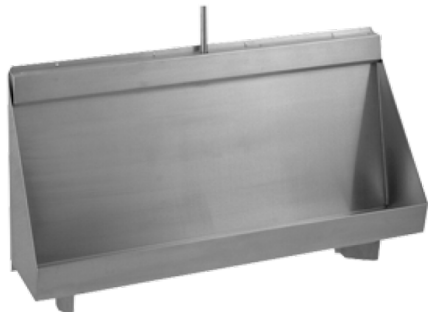


# G20117N Centinel Wall Hung Urinal

MODEL RANGE: | G20117N |

WCs and urinals | Trough urinal



The slap urinals are manufactured from 1.2mm thick grade austenitic stainless steel polished to a satin finish. Each urinal is supplied complete with 50mm waste, spargepipes, interconnecting pipework, plastic cistern and downpipe. The waste outlet is positioned centrally in the length of the urinal. The urinals can be supplied to suit both exposed and concealed cistern arrangements - see code numbers below for details. The recommended height for fixing the cisterns is 750 - 950mm, from the underside of the cistern to the top return of the urinal. All urinals are screw fixed to the wall through fixing holes in the top flange together with separate wall mounted brackets which support the base of the unit. Concealed Spargepipes 9 litre cistern and downpipe

## Technical data

Material thickness	1.20 mm
Overall depth	300.00 mm
Overall height	555.00 mm
Overall width	1,200.00 mm
Material	Stainless steel
Material code	1.4301 Chrome Nickel steel V2A
Tailor made	No
Type of mounting	Wall mounting
Surface finish	Satin finished
Type of flushing	Water flushed
Water inlet	Concealed
Water outlet	Concealed
Product code	205.0000.058