



FWDG - Lincat Electric Counter-top Food Warming Drawers - W 620 mm - 1.5 kW

Keep buns, rolls, pastries, breads, potatoes and meats warm and succulently moist for up to one hour with the Lincat Food Warming Drawers.

- ✓ Pre-set thermostat keeps food at constant temperature
 - ✓ Humidity facility keeps contents moist for extended periods
 - ✓ Full insulation ensures energy efficiency and safe cool surfaces
- ✓ Large removable drawers for ease of cleaning
 - ✓ Smooth action stainless steel runners

Specifications

Summary Power and Performance

Brand	Lincat	Total Power kW	1.5
Range	Specialist	Temperature Range °C	64-70
Power Type	Electric	IP Rating	IP23
Unit Type	Counter-top	Temperature Control	Mechanical
Available in UK Only	No		
UK Warranty	2 Years Parts and Labour Warranty		
Export Warranty	Contact your local dealer		
GTIN	5056105101697		

Capacity

Gastronorm Capacity	1 x GN1/1 per shelf
----------------------------	---------------------

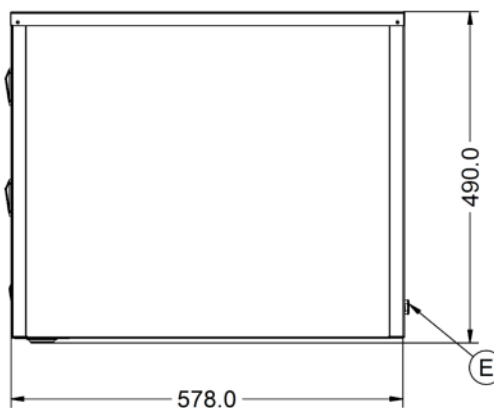
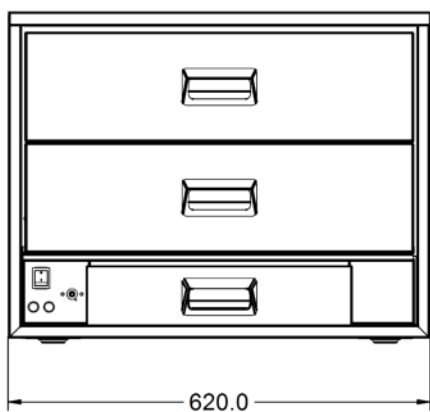
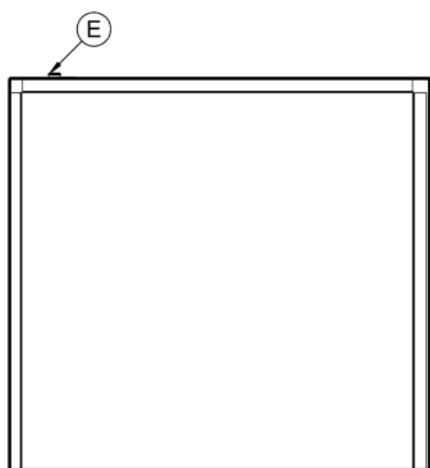
Weights and Dimensions Supply Connections

Unit Height (External) mm	490	Requires Installation	No
Unit Width (External) mm	620	Requires Electrical Supply	Yes
Unit Depth (External) mm	578	UK 3 Pin Plug	Yes
Height (Internal) mm	110	Requires Hardwiring	No
Width (Internal) mm	503	Electrical Supply Rating Watts	1,500
Depth (Internal) mm	298	Single Phase Amps	6.5
Net Weight Kg	48.2	Single Phase Voltage	230
		Three Phase Voltage	400

Shipping

Packed Weight Kg	53.02
Packed Height cm	102.3
Packed Width cm	70.3
Packed Depth cm	70.3

Technical Picture



Lincat Limited

Whisby Road,
Lincoln, LN6 3QZ,
United Kingdom

Company No: 2175448

A member company of



Customer Care

Tel: +44 1522 875500
Email: care@lincat.co.uk

Export Customers

Tel: +44 1522 875536
Email: export@lincat.co.uk

Opening Hours

Monday – Friday:
8.30am – 5pm