



## F73/101/SS - IMC BM100 Bottle Cooler [Top Load] - Glass Lid - H 875 mm - W 1000 mm - 0.368 kW

Designed for underbar use, the BM100 features rapid cooling technology and an innovative storage system to provide perfectly-chilled drinks that can be served quickly.

- ✓ Rapid cooling so drinks can be served quickly
- ✓ Stylish storage for 210 bottles
- ✓ Top loading design provides fast and easy access to ice cold drinks
- ✓ Glazed sliding doors mean drinks can be seen without opening
- ✓ Stylish exterior to suit any commercial bar setting
- ✓ UK 3 pin plug allows users to simply plug in and switch on
- ✓ Optional baskets and dividers provide easy loading
- ✓ Interior lighting option enhances visibility for bar staff

### Specifications

#### Summary

|                             |                                   |
|-----------------------------|-----------------------------------|
| <b>Brand</b>                | IMC                               |
| <b>Range</b>                | BM Bottle Cooler                  |
| <b>Power Type</b>           | Electric                          |
| <b>Unit Type</b>            | Free-standing                     |
| <b>Available in UK Only</b> | No                                |
| <b>UK Warranty</b>          | 2 Years Parts and Labour Warranty |
| <b>Export Warranty</b>      | Contact your local dealer         |
| <b>GTIN</b>                 | 5056105198024                     |

#### Power and Performance

|                             |            |
|-----------------------------|------------|
| <b>Total Power kW</b>       | 0.368      |
| <b>Temperature Range °C</b> | 2-6        |
| <b>IP Rating</b>            | IPX1       |
| <b>Temperature Control</b>  | Electronic |

#### Key Specifications

|                                   |                 |
|-----------------------------------|-----------------|
| <b>Door Hinge</b>                 | Sliding         |
| <b>Door Location</b>              | Top             |
| <b>Lockable Door</b>              | Yes             |
| <b>Colour</b>                     | Stainless Steel |
| <b>Number of Doors</b>            | 2               |
| <b>Shelf Material</b>             | Plastic Coated  |
| <b>Number of Shelves included</b> | 2               |
| <b>Number of Shelf Positions</b>  | 2               |
| <b>Refrigerant Type</b>           | R134a           |

#### Capacity

|                         |     |
|-------------------------|-----|
| <b>Capacity Bottles</b> | 210 |
| <b>Capacity Litres</b>  | 190 |

#### Weights and Dimensions

|                                  |      |
|----------------------------------|------|
| <b>Unit Height (External) mm</b> | 875  |
| <b>Unit Width (External) mm</b>  | 1000 |
| <b>Unit Depth (External) mm</b>  | 560  |
| <b>Height (Internal) mm</b>      | 495  |
| <b>Width (Internal) mm</b>       | 925  |
| <b>Depth (Internal) mm</b>       | 430  |
| <b>Shelf Dimensions Width mm</b> | 424  |
| <b>Shelf Dimensions Depth mm</b> | 448  |
| <b>Net Weight Kg</b>             | 84   |

#### Supply Connections

|                                       |     |
|---------------------------------------|-----|
| <b>Requires Installation</b>          | No  |
| <b>Requires Electrical Supply</b>     | Yes |
| <b>UK 3 Pin Plug</b>                  | Yes |
| <b>Requires Hardwiring</b>            | No  |
| <b>Electrical Supply Rating Watts</b> | 368 |
| <b>Single Phase Amps</b>              | 1.6 |
| <b>Single Phase Voltage</b>           | 240 |

## Shipping

|                         |      |
|-------------------------|------|
| <b>Packed Weight Kg</b> | 92.4 |
| <b>Packed Height cm</b> | 111  |
| <b>Packed Width cm</b>  | 105  |
| <b>Packed Depth cm</b>  | 60   |

## Available Options

### INTERNAL LIGHT

**VS321B** BM100 INTERNAL LIGHT

### SPEED RAIL

**VS327** BM100 SPEED RAIL

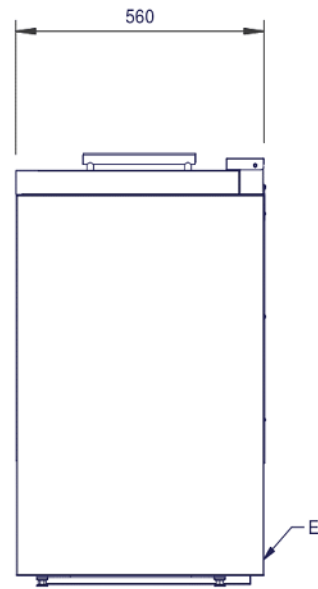
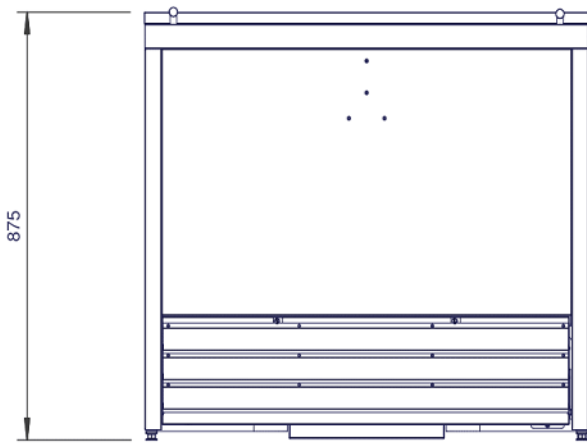
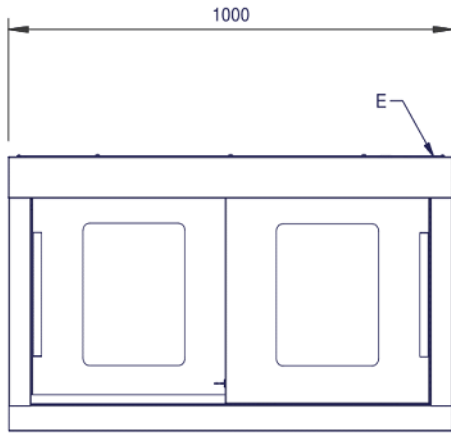
## Available Accessories

**A12/089** Bottle Basket for BM Bottle Cooler

**S73/004** Bottle Opener and Cap Catcher for BM Bottle Cooler

**S73/110** Divider Pack for BM100 Bottle Cooler

## Technical Picture



**Lincat Limited**

Whisby Road,  
Lincoln, LN6 3QZ,  
United Kingdom

**Company No:** 2175448

A member company of



**Customer Care**

**Tel:** +44 1522 875500  
**Email:** care@lincat.co.uk

**Export Customers**

**Tel:** +44 1522 875536  
**Email:** export@lincat.co.uk

**Opening Hours**

**Monday – Friday:**  
8.30am – 5pm