



F61/301 - IMC IMChip CS-C1 Counter-top Potato Chipper - W 400 mm - 0.18 kW [exc. knife block/blades]

The compact, powerful CS-C1 chipper is the ideal solution for kitchens that need to produce a high volume of perfectly-cut chips, quickly.

- ✓ Able to produce 25kg of chips per minute.
- ✓ Compact design, with flexible mounting options, to suit kitchens of any size.
- ✓ Screw-down, rigid knife block provides perfect cut every time with little waste.
- ✓ Extra large hopper, with safety interlocks, allows quick and easy loading.
- ✓ Safe, single blade design for quick removal and replacement.
- ✓ Engineered using heavy-gauge stainless steel, for longevity and easy cleaning.
- ✓ UK 3 pin plug allows users to simply plug in and switch on.

Specifications

Summary

| | |
|-----------------------------|------------------------------------|
| Brand | IMC |
| Range | IMChip |
| Series | CS Chipper |
| Power Type | Electric |
| Unit Type | Counter-top |
| Available in UK Only | No |
| UK Warranty | 2 Years Parts and Labour Warranty |
| Export Warranty | Contact your local dealer |
| Mounting | Drainer; Worktop; Stand [optional] |
| GTIN | 5056105198895 |

Power and Performance

| | |
|-----------------------|------|
| Total Power kW | 0.18 |
| HP | 0.24 |
| IP Rating | IP55 |

Key Specifications

| | |
|------------------------|------------|
| Operator Safety | Interlocks |
|------------------------|------------|

Capacity

| | |
|-----------------------------|------|
| Capacity Kg per Hour | 1500 |
| Hopper Load kg | 12 |

Weights and Dimensions

| | |
|----------------------------------|-----|
| Unit Height (External) mm | 550 |
| Unit Width (External) mm | 400 |
| Unit Depth (External) mm | 692 |
| Net Weight Kg | 42 |

Supply Connections

| | |
|-----------------------------------|-----|
| Requires Installation | No |
| Requires Electrical Supply | Yes |
| UK 3 Pin Plug | Yes |
| Requires Hardwiring | No |
| Single Phase Amps | 2.4 |
| Single Phase Voltage | 240 |

Shipping

| | |
|-------------------------|------|
| Packed Weight Kg | 46.2 |
| Packed Height cm | 84 |
| Packed Width cm | 68 |
| Packed Depth cm | 42.5 |

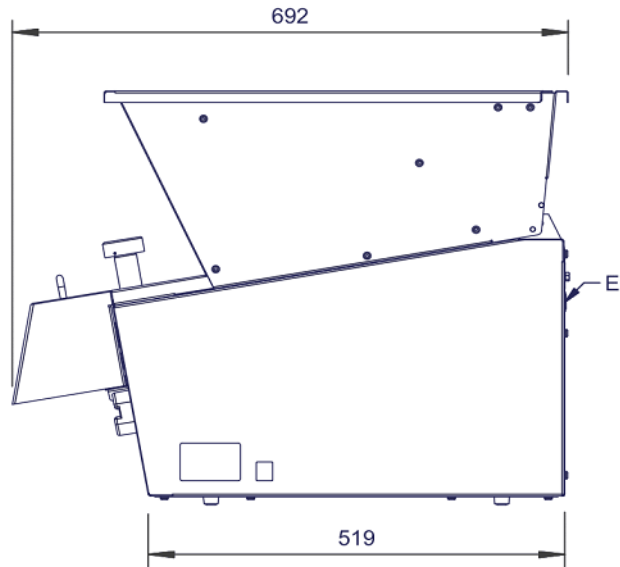
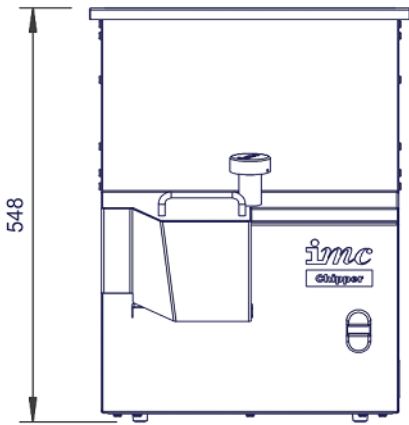
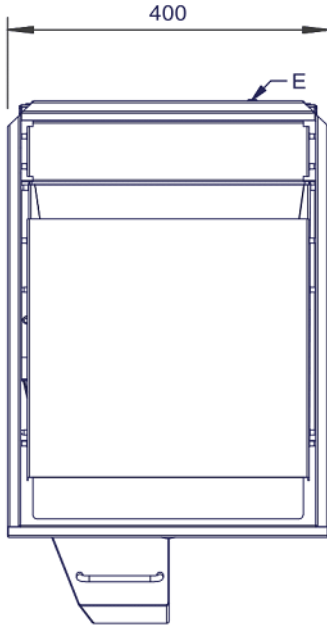
Available Accessories

| | |
|----------------|--|
| S61/128 | Blades for CS-C1/PC2 Chipper Knife Block - 17 mm x 14 mm [fits S61/115 & S61/144 blocks] |
| S61/129 | Blades for CS-C1/PC2 Chipper Knife Block - 14 mm x 14 mm [fits S61/114 & S61/151 blocks] |

Available Accessories

| | |
|----------------|--|
| S61/134 | Blades for CS-C1/PC2 Chipper Knife Block - 12 mm x 12 mm [fits S61/135 & S61/145 blocks] |
| S61/140 | Stand for CS-C1/PC2 Chipper |
| S61/141 | Bucket Shelf for CS-C1 Chipper |
| S61/142 | Bucket for CS-C1 Chipper [B1/Solid] |
| S61/143 | Bucket for CS-C1 Chipper [B2/Perforated] |
| S61/144 | Knife Block - 17 mm x 14 mm - for CS-C1 Chipper [includes S61/128 Blade] |
| S61/145 | Knife Block - 12 mm x 12 mm - for CS-C1 Chipper [includes S61/134 Blade] |
| S61/151 | Knife Block - 14 mm x 14 mm - for CS-C1 Chipper [includes S61/129 Blade] |
| S61/166 | Static Potato Tank for CS-C1 Chipper [T1/approx. 18 bags] |
| S61/167 | Static Potato Tank for CS-C1 Chipper [T2/approx. 12 bags] |
| S61/169 | Static Potato Tank for CS-C1 Chipper [T3/approx. 14 bags] |
| S61/170 | Static Potato Tank for CS-C1 Chipper [T4/approx. 10 bags] |
| S61/171 | Static Low Potato Tank for CS-C1 Chipper [T5/approx. 10 bags] |
| S61/183 | Blades for CS-C1/PC2 Chipper Knife Block - 21 mm x 17 mm [fits S61/182 & S61/184 blocks] |
| S61/184 | Knife Block - 21 mm x 17 mm - for CS-C1 Chipper [includes S61/183 Blade] |
| S61/201 | Mobile Potato Tank for CS-C1 Chipper [T1/approx. 18 bags] |
| S61/202 | Mobile Potato Tank for CS-C1 Chipper [T3/approx. 14 bags] |
| S61/203 | Mobile Potato Tank for CS-C1 Chipper [T2/approx. 12 bags] |
| S61/204 | Mobile Potato Tank for CS-C1 Chipper [T4/approx. 10 bags] |
| S61/205 | Mobile Low Potato Tank for CS-C1 Chipper [T5/approx. 10 bags] |

Technical Picture



Lincat Limited

Whisby Road,
Lincoln, LN6 3QZ,
United Kingdom

Company No: 2175448

A member company of



Customer Care

Tel: +44 1522 875500
Email: care@lincat.co.uk

Export Customers

Tel: +44 1522 875536
Email: export@lincat.co.uk

Opening Hours

Monday – Friday:
8.30am – 5pm