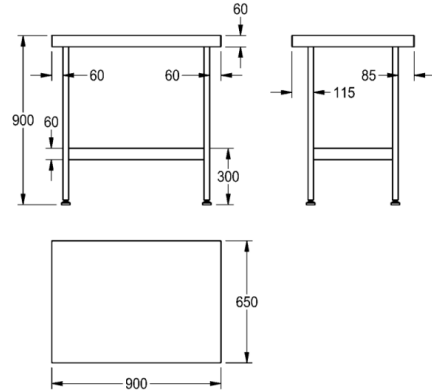


Work desk

MODEL RANGE: MAXIMA | F20612Z |

Catering sinks | Work tops



Centre tables at 900 mm height to complement the Mini, Midi and Magnum wall tables. The tables are manufactured from 1.2 mm thick, grade 1.4301 (304) stainless steel with a satin polish finish. The stainless steel underframe and shelf is supplied flat pack with easy to read assembly instructions. Each leg is fitted with an adjustable foot (-20, +10 mm) with a working height of 900 mm.

Midi Centre table with flat pack underframe
Adjustable feet
Dimensions 900 x 900 x 650 mm (W x H x D)

Technical data	
Material thickness	1.20 mm
Overall depth	650.00 mm
Overall height	900.00 mm
Overall width	900.00 mm
Material	Stainless steel
Material code	1.4301 Chrome Nickel steel V2A
Tailor made	No
Type of mounting	Floor mounting
Rear upstand	Yes
Surface finish	Satin finished
Product code	214.0000.139