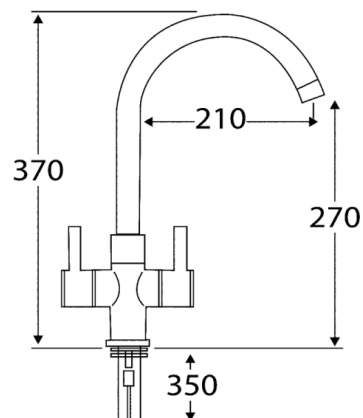


F1059N Monobloc mixer tap

MODEL RANGE: WASH-TAPS-CONV | F1059N | 208.0574.216

Taps | Manual taps



Monobloc mixer tap for connecting to hot and cold water. The 13 mm is ideal for those locations where there is only a single tap hole available. The operation of the F1059 monobloc mixer tap is carried out by a quarter turn ceramic disc which ensures a longer working life. Manufactured from chromium plated brass.

Technical data

Tailor made	No
Type of mounting	Mounted on product
Type of operation	Manual operation
Material fitting	Brass
Type of mixing	With mixing
Surface finish fitting	Chromed
Type of tap	Pillar tap
Minimum flow pressure	0.10 bar
Spout projection	210.00 mm
Volume flow rate at 3 bar	0.30 liter per second
Depressurised	No
Functional principle	Manual
Product code	208.0574.216