

Technical data sheet for  
**ELECTRIC SALAMANDER**  
E91B

- Powerful 6kW infra-red elements
- Left and right heat control
- Branding plate option
- Wall mounting bracket
- Easy clean
- Easy service



E91B

**Overall Construction**

- Monocoque construction
- Enamelled front brow
- External panels of 0.9mm stainless steel
- Stainless steel tray under grilling area with grease trough
- Two 3kW infra-red elements

**Racking**

- Four position racking (flat or inclined)
- Adjustable chrome wire rack with heat resistant handles

**Controls**

- Large easy use controls
- Heat resistant reinforced control knobs
- Indicator light for each element
- Each side controlled by a 3 heat switch

**Cleaning and Servicing**

- Access to all parts from front of unit
- Stainless steel and enamelled surfaces used throughout

# Technical data sheet for ELECTRIC SALAMANDER

## Specifications

### Elements

2 x 3kW

### Electrical requirements

230-240V, 1P+N+E, 50/60Hz, 6kW, 25A

### Dimensions

Width 900mm

Depth 424mm (455mm with wall mounting bracket)

Height 456mm

### Cooking area

Rack size 610mm x 310mm, 1890cm<sup>2</sup>

Branding Plate 610mm x 310mm, 1890cm<sup>2</sup>

### Nett weight

36kg

### Packing data

0.31m<sup>3</sup>, 63kg

Width 945mm

Depth 520mm

Height 635mm

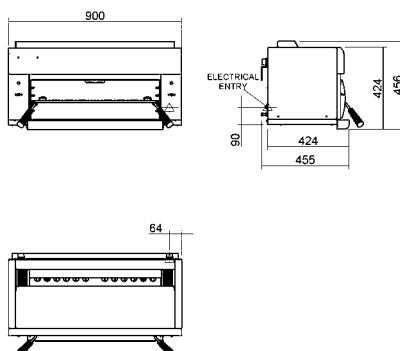
### Electrical connection

230-240V 1 phase hard wired via terminal block at back of unit 64mm from right side and 90mm from bottom of unit

### Options

100mm high feet for bench mounting

E91B



**BLUE SEAL**

[www.blue-seal.co.uk](http://www.blue-seal.co.uk)  
[www.bluesealevolution.com](http://www.bluesealevolution.com)

## United Kingdom

### Blue Seal Limited

Unit 67

Gravelly Business Park

Gravelly

Birmingham B24 8TQ

England

Telephone 0121-327 5575

Facsimile 0121-327 9711

Email [sales@blue-seal.co.uk](mailto:sales@blue-seal.co.uk)

[www.blue-seal.co.uk](http://www.blue-seal.co.uk)

## Australia

### Moffat Pty Limited

740 Springvale Rd

Mulgrave

Victoria 3170

Australia

Telephone 03-9518 3888

Facsimile 03-9518 3833

Email [vsales@moffat.com.au](mailto:vsales@moffat.com.au)

[www.moffat.com.au](http://www.moffat.com.au)

## New Zealand

### Moffat Limited

16 Osborne St

PO Box 10-001

Christchurch 8011

New Zealand

Telephone 03-389 1007

Facsimile 03-389 1276

Email [sales@moffat.co.nz](mailto:sales@moffat.co.nz)

[www.moffat.co.nz](http://www.moffat.co.nz)



ISO9001  
Quality  
Management  
Standard

Designed and manufactured by

**MOFFAT**

ISO9001

All Blue Seal products are designed and manufactured by Moffat using the internationally recognised ISO9001 quality management system, covering design, manufacture and final inspection, ensuring consistent high quality at all times.



In line with policy to continually develop and improve its products, Moffat Limited reserves the right to change specifications and design without notice.