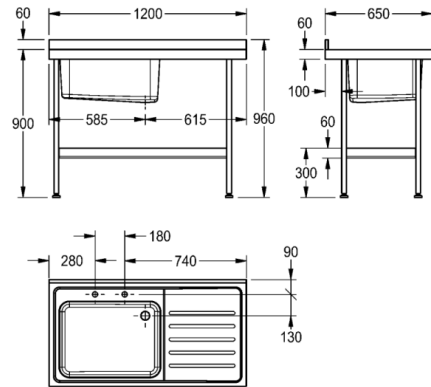


Catering sink

MODEL RANGE: | E20610R | 214.0000.040

Catering sinks | Catering sinks



Midi sinks are manufactured from 1.2 mm thick austenitic grade stainless steel descaled finish. All sinks have two tapholes behind each bowl drilled at 180 mm centres. Single bowl sinks are suitable for either 13 mm pillar taps or mixer taps whereas the double bowl sinks are only suitable for pillar taps. Bowls are all supplied with 38 mm waste and standpipe strainer overflow. An earthing lug is fitted under the drainer. Stainless steel underframes complete with shelf are to be ordered as an extra part and are supplied in a flat pack form with easy to read assembly instructions. Each leg is fitted with an adjustable foot (-20, +10 mm) with a working height of 900 mm.

Single bowl, RH single drainer

Technical data

Bowl height	300.00 mm
Bowl width	610.00 mm
Bowl depth	460.00 mm
Material thickness	1.20 mm
Overall depth	650.00 mm
Overall height	900.00 mm
Overall width	1,200.00 mm
Waste hole projection	220.00 mm
Drainer position	Right
Material	Stainless steel
Material code	1.4301 Chrome Nickel steel V2A
Tailor made	No
Tap ledge	Yes
Type of mounting	Floor mounting
Waste hole position	Right back corner
Bowl finish	Descaled
Rear upstand	Yes
Surface finish	Satin finished
Waste size	DN 40
Drainer or storage	Drainer
Product code	214.0000.040

Catering sink

MODEL RANGE: | E20610R | 214.0000.040

Catering sinks | Catering sinks

Accessory Mandatory



2000100525

K20671N

Accessory Optional



208.0574.189

F1081N



208.0574.185

F1083N



208.0574.187

F1074N



208.0574.211

F1330N



208.0576.821

F1075N



2000100425

F1062
