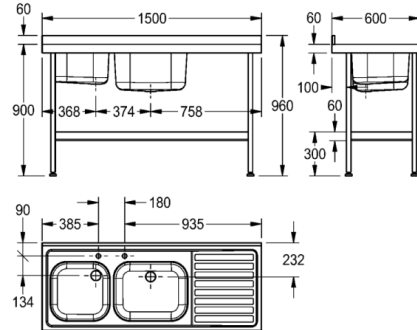


E20606R Catering sink

MODEL RANGE: | E20606R | 214.0000.032

Catering sinks | Catering sinks



Mini sinks are manufactured from 1.2 mm thick austenitic grade stainless steel polished to a satin finish. E20605 and E20606 have the larger bowl fitted with a 38 mm waste, plug, chain and overflow and the smaller outer bowl supplied with a 38 mm basket strainer waste outlet. Models E20605L/R and E20606L/R are both drilled for mixer taps only - see illustrations opposite. An earthing lug is fitted under the drainer. Stainless steel underframes complete with shelf are to be ordered as an extra part and are supplied in a flat pack form with easy to read assembly instructions. Each leg is fitted with an adjustable foot (-20, +10 mm) with a working height of 900 mm.

RH Single drainer

Technical data

Bowl height	250.00 mm
Bowl width	400.00 mm
Bowl depth	400.00 mm
Material thickness	1.20 mm
Overall depth	600.00 mm
Overall height	900.00 mm
Overall width	1,500.00 mm
Waste hole projection	241.00 mm
Drainer position	Right
Material	Stainless steel
Material code	1.4301 Chrome Nickel steel V2A
Tailor made	No
Tap ledge	Yes
Type of mounting	Floor mounting
Waste hole position	Right back corner
Bowl finish	Satin finish
Surface finish	Satin finished
Waste size	DN 40
Drainer or storage	Drainer
Drainer / storage board quantity	1
Product code	214.0000.032

E20606R Catering sink

MODEL RANGE: | E20606R | 214.0000.032

Catering sinks | Catering sinks

Accessory Mandatory



Underframe

2000100528

K20672N

Accessory Optional



208.0574.189

F1081N



208.0574.185

F1083N



208.0574.187

F1074N



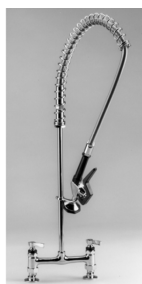
208.0574.211

F1330N



208.0576.821

F1075N



2000100425

F1062
