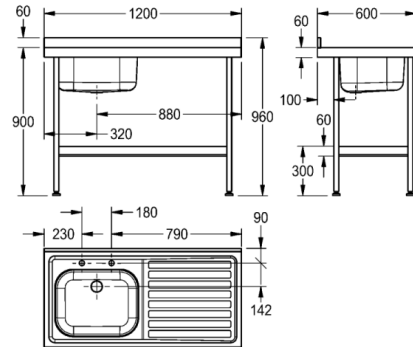


# Catering sink

MODEL RANGE: | E20602R | 214.0000.012

Catering sinks | Catering sinks



Mini sinks are manufactured from 1.2 mm thick austenitic grade stainless steel polished to a satin finish. Single bowl sinks are all supplied with 38 mm waste, plug, chain and overflow. Single bowl sinks have two holes drilled at 180 mm centres suitable for either 13mm pillar taps or mixer taps. An earthing lug is fitted under the drainer. Stainless steel underframes complete with shelf are to be ordered as an extra part and are supplied in a flat pack form with easy to read assembly instructions. Each leg is fitted with an adjustable foot (-20, +10 mm) with a working height of 900 mm.

RH Single drainer

| Technical data        |                                |
|-----------------------|--------------------------------|
| Bowl height           | 250.00 mm                      |
| Bowl width            | 500.00 mm                      |
| Bowl depth            | 400.00 mm                      |
| Material thickness    | 1.20 mm                        |
| Overall depth         | 600.00 mm                      |
| Overall height        | 900.00 mm                      |
| Overall width         | 1,200.00 mm                    |
| Waste hole projection | 222.00 mm                      |
| Drainer position      | Right                          |
| Material              | Stainless steel                |
| Material code         | 1.4301 Chrome Nickel steel V2A |
| Tailor made           | No                             |
| Tap ledge             | Yes                            |
| Type of mounting      | Floor mounting                 |
| Waste hole position   | Right back corner              |
| Bowl finish           | Satin finish                   |
| Rear upstand          | Yes                            |
| Surface finish        | Satin finished                 |
| Waste size            | DN 40                          |
| Drainer or storage    | Drainer                        |
| Product code          | 214.0000.012                   |

# Catering sink

MODEL RANGE: | E20602R | 214.0000.012

Catering sinks | Catering sinks

---

## Accessory Mandatory

---



---

2000100525

K20671N

---

---

## Accessory Optional

---



---

208.0574.189

F1081N

---



---

208.0574.185

F1083N

---



---

208.0574.187

F1074N

---



---

208.0574.211

F1330N

---



---

208.0576.821

F1075N

---



---

2000100425

F1062

---