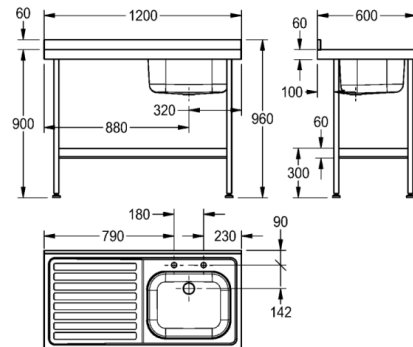


# Catering sink

MODEL RANGE: | E20602L | 214.0000.008

Catering sinks | Catering sinks



Mini sinks are manufactured from 1.2 mm thick austenitic grade stainless steel polished to a satin finish. Single bowl sinks are all supplied with 38 mm waste, plug, chain and overflow. Single bowl sinks have two holes drilled at 180 mm centres suitable for either 13mm pillar taps or mixer taps. An earthing lug is fitted under the drainer. Stainless steel underframes complete with shelf are to be ordered as an extra part and are supplied in a flat pack form with easy to read assembly instructions. Each leg is fitted with an adjustable foot (-20, +10 mm) with a working height of 900 mm.

LH Single drainer

Technical data	
Bowl height	250.00 mm
Bowl width	500.00 mm
Bowl depth	400.00 mm
Material thickness	1.20 mm
Overall depth	600.00 mm
Overall height	900.00 mm
Overall width	1,200.00 mm
Waste hole projection	222.00 mm
Drainer position	Left
Material	Stainless steel
Material code	1.4301 Chrome Nickel steel V2A
Tailor made	No
Tap ledge	Yes
Type of mounting	Floor mounting
Waste hole position	Left back corner
Bowl finish	Satin finish
Rear upstand	Yes
Surface finish	Satin finished
Waste size	DN 40
Drainer or storage	Drainer
Product code	214.0000.008

# Catering sink

MODEL RANGE: | E20602L | 214.0000.008

Catering sinks | Catering sinks

---

## Accessory Mandatory

---



---

2000100525

K20671N

---

---

## Accessory Optional

---



---

208.0574.189

F1081N

---



---

208.0574.185

F1083N

---



---

208.0574.187

F1074N

---



---

208.0574.211

F1330N

---



---

208.0576.821

F1075N

---



---

2000100425

F1062

---