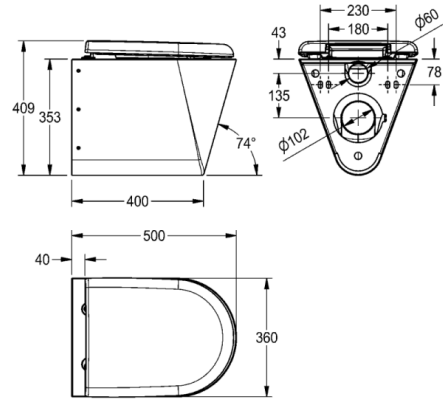
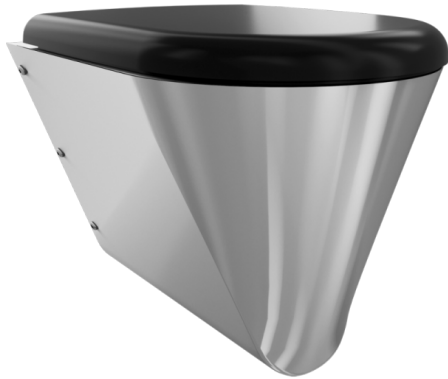


CAMPUS Wall hung WC pan

MODEL RANGE: CAMPUS | CMPX592B | 205.0000.002

WCs and urinals | WCs



Wall hung WC pan, stainless steel, surface satin finished, material thickness 1.6 mm, flushing certificated to EN 997, concealed flushing rim with min. 4 liter flushing capacity, with a shrouded 100 mm diameter horizontal 'P' trap outlet, pressed seat area tapered towards centre, all edges curved, fixing with mounting plate supplied, conform to EN 33, includes security screws. 4 litre flush EN 997 approved.

With black WC-seat

Dimensions 360 x 409 x 500 mm (W x H x D)

Technical data

Material thickness	1.60 mm
Overall depth	500.00 mm
Overall height	409.00 mm
Overall width	360.00 mm
Material	Stainless steel
Material code	1.4301 Chrome Nickel steel V2A
Tailor made	No
Type of mounting	Wall mounting
Surface finish	Satin finished
Outlet size	DN 100
Inlet size	DN 55
Type of toilet seat	Synthetic hinged seat with lid
Type of WC	Wall hung
Minimum flushing capacity	4.00 liter
Toilet seat colour	Black
Product code	205.0000.002