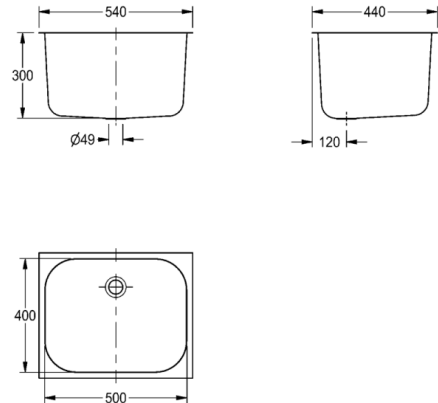


Basin to be installed from above

MODEL RANGE: ANIMA | C20150N | 2 14.0000.095

Washbasins & Washtroughs | Wash basins



Small rimmed edged bowl for inseting into worktops. Manufactured from 0.9 mm thick grade 1.4301 (304) stainless steel with a satin polish finish. The bowl has a 20 mm rimmed edge and is prepared for a 38 mm waste and overflow. There are no tap holes therefore taps are to be mounted through the worktop or on the wall. Fixing clips are supplied with each bowl. Waste, plug, chain and overflow are available extras. NOTE: It may be necessary to notch the worktop when fitting an overflow.

20 mm rimmed edge

Centre waste

Dimensions 500 x 400 x 300 mm (W x H x D)

Cut-out size 510 x 410 mm

Technical data

Bowl height	300.00 mm
Bowl width	500.00 mm
Bowl depth	400.00 mm
Material thickness	0.90 mm
Overall depth	440.00 mm
Overall height	180.00 mm
Overall width	540.00 mm
Material	Stainless steel
Material code	1.4301 Chrome Nickel steel V2A
Tailor made	No
Tap ledge	No
Type of mounting	Inset mounting
Waste hole position	Center back
Bowl finish	Satin finish
Bowl shape	Rounded rectangle
Overflow	Yes
Rear upstand	No
Splash back	No
Surface finish	Satin finished
Number of tap holes	0.00000
Waste kit included	Yes
Waste size	DN 40
Product code	214.0000.095