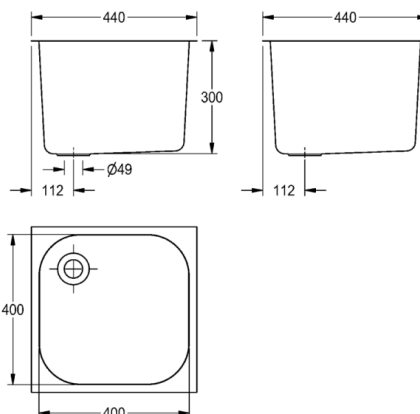


Utility sinks

MODEL RANGE: ANIMA | C20133N | 214.0000.089

Washbasins & Washtroughs | Wash basins



A range of small inset sink bowls manufactured from 0.9mm thick grade 1.4301 (304) stainless steel, satin polish finish. All have rimmed edges, suitable for inseting into a worktop. Models C20120N and C20137N have a 17 mm rimmed edge whereas all the other sink bowls incorporate a 20 mm rimmed edge. Each bowl is prepared for a 38mm waste and overflow. Waste, plug, chain and overflow are available as extras. No tapholes are provided therefore any taps to be fitted must be mounted either through the worktop or on the wall. Fixing clips are supplied with each bowl.

NOTE: It may be necessary to notch the worktop when fitting an overflow.
Dimension 440 x 300 x 440 mm (W x H x D)

Technical data

Bowl height	300.00 mm
Bowl width	400.00 mm
Bowl depth	400.00 mm
Material thickness	0.90 mm
Overall depth	440.00 mm
Overall height	180.00 mm
Overall width	440.00 mm
Material	Stainless steel
Material code	1.4301 Chrome Nickel steel V2A
Tailor made	No
Tap ledge	No
Type of mounting	Inset mounting
Waste hole position	Right back corner
Bowl finish	Satin finish
Bowl shape	Circle with straight sides
Overflow	Yes
Rear upstand	No
Splash back	No
Surface finish	Satin finished
Number of tap holes	0.00000
Waste kit included	Yes
Waste size	DN 40
Product code	214.0000.089