

MODEL:

**BaSix BSX-300-BUB**

**BASIX**

Drinks Station - wall mounted, complete with BSX-300 stainless steel basin & bubbler tap (includes tap hole stopper)

**Basin range:** Drinks Station

**Controls:** Soft-touch

**Accredita:** WRAS

**Connect:** Connections: 3/8-inch BSP external thread and 1/4-inch BSP internal thread

**FEATURES & BENEFITS**

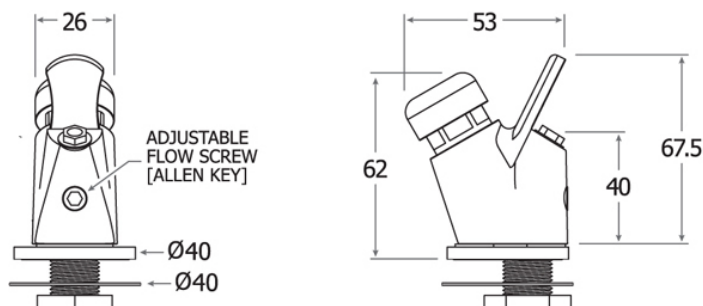
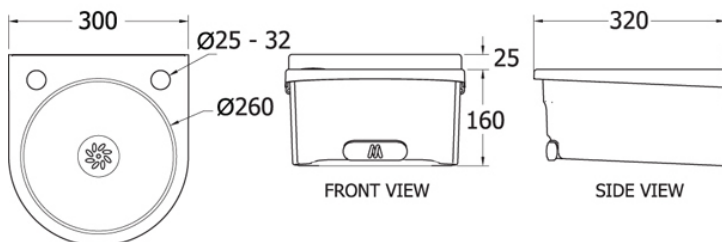
- WRAS approved
- Enables businesses to join the national drinking water scheme by offering easily accessible drinking water for staff, customers and the public
- Stylish, curved design. Ideal for public and staff areas, kitchens, changing/wash rooms
- Soft-touch press buttons with built in auto shut-off valve require no user effort
- Depth of bowl reduces splashback and protects the floor from hazardous spills
- Overall design function encourages reuse and recycling of drinks containers, helping to protect the environment
- Chrome-plated water bubbler is robust, corrosion resistant and easy to clean
- Adjustable flow screws allow the flow rates to be quickly and easily modified (using an Allen key)
- Mounting bracket with integral spirit level supplied for fast and easy installation
- EPDM rubber o-rings
- Double filter, to ensure users a thick and uniform water flow, to increase hygienic use and convenience
- Supplied with flexible connection hose - 10mm bore, 150mm length, 3/8-inch F x 15mm compression fittings
- Easy to clean - integral flush grated waste
- Bowl and deck are permanently bonded to the skirt, removing the need for exposed bolts and rivets
- Optional high density polyethylene waste bin and high grade polished 304 Austenitic stainless steel splashback available

**TECHNICAL INFO**

- Materials: Bowl & Deck: High grade polished 304 Austenitic stainless steel Skirt: High grade, high strength injection moulded ABS-Polycarbonate Bubbler: Chrome plated
- Dimensions: O/D: 300 x 320 x 160mm Bowl: 260mm dia. x 130mm deep
- Connections: 3/8-inch BSP external thread
- Tap hole: 25-32mm

**MAINTENANCE & CLEANING**

Cleaning chrome: Do not use abrasive, chlorine or acid-based cleaning products. Avoid contact with concentrated bleach. Clean with soapy water using a cloth or sponge.



Dimensions are in millimeters. If a Cad file is required please visit [www.mechline.com](http://www.mechline.com).



MECHLINE DEVELOPMENTS LIMITED

Tel: +44 (0)1908 261511 | Email: [info@mechline.com](mailto:info@mechline.com) | Web: [www.mechline.com](http://www.mechline.com)