

MODEL: **AquaTechnix TX-B-2DJ18L**

# AQUATECHNIX

AquaTechnix LEVER operated faucet TX-B-20 base with 450mm double jointed spout. H: 429mm

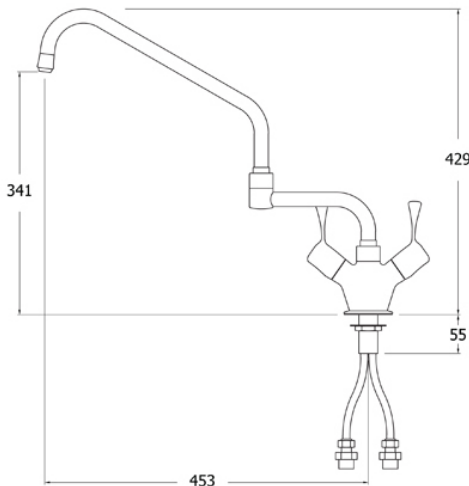
**Model range:** TX-20  
**Base:** TX-B-20  
**Pedestal:** Single Hole  
**Mount:** Deck mounted  
**Water feed:** Twin  
**Controls:** Lever  
**Connections:** 1/2-inch  
**Tap type:** Monobloc Mixer  
**Spout:** 450mm double jointed  
**Accreditation:** WRAS

### FEATURES & BENEFITS

- Ergonomic in design and functionality.
- Modern, hygienic and practical design comes pre-assembled ready to install.
- All assembled models are factory tested up to 6 bar for quality assurance.
- Complete interchangeability between all bodies, spouts and pre-rinses means that product use can easily be changed on site at a later date.
- Heavy-duty construction incorporating high quality tested and proven components for commercial use.

### TECHNICAL INFO

- Connection: 1/2-inch
- Height: 429mm
- Recommended static water pressure range: 1.5 - 5 bar
- Flow rates for all TX-B-20 models - tested at 3 bar pressure: Fitted with WATER-SAVING diffuser: 3.56 l/m (only available on request) Fitted with STANDARD diffuser: 10.33 l/m



Dimensions are in millimeters. If a Cad file is required please visit [www.mechline.com](http://www.mechline.com).

### MAINTENANCE & CLEANING

Cleaning chrome: Do not use abrasive, chlorine or acid-based cleaning products. Avoid contact with concentrated bleach. Clean with soapy water using a cloth or sponge.



MECHLINE DEVELOPMENTS LIMITED

Tel: +44 (0)1908 261511 | Email: [info@mechline.com](mailto:info@mechline.com) | Web: [www.mechline.com](http://www.mechline.com)