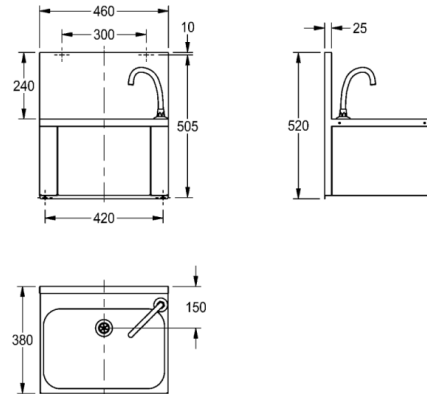


ANIMA washbasin with knee actuation

MODEL RANGE: ANIMA | ANMX206 | 203.0000.035

Washbasins & Washtroughs | Wash basins



Knee operated wash hand basin is manufactured from stainless steel-satin polish finish, material thickness 0.9 mm. Supplied complete with water spout positioned in rearright hand corner and 32 mm waste outlet. Note: The pre-mixing valve and the pipework linking the water spout to the knee operated front panel is all supplied with the washbasin. Wall mounted by fitting a top joggle strip under the upstand return and by screw fixing through the integral rear brackets. Screws and plugs are not supplied.

Dimensions 420 x 520 x 380 mm (W x H x D)

Bowl dimensions 410 x 265 mm (W x D)

Technical data

Bowl height	265.00 mm
Bowl depth	410.00 mm
Material thickness	0.90 mm
Overall depth	380.00 mm
Overall height	520.00 mm
Overall width	460.00 mm
Material	Stainless steel
Material code	1.4301 Chrome Nickel steel V2A
Tailor made	No
Tap hole position	Right
Tap ledge	Yes
Waste hole position	Center back
Bowl finish	Satin finish
Bowl shape	Rounded rectangle
Overflow	No
Rear upstand	No
Splash back	Yes
Surface finish	Satin finished
Number of tap holes	0.00000
Waste kit included	Yes
Waste size	DN 32
Product code	203.0000.035