

MODEL:

**AquaJet AJPR30-ST-BF1-S**

# AQUAJET

AquaJet Pre-Rinse Spray. AJPR30 base / STANDARD style / BF1 bowl filler / STANDARD gun

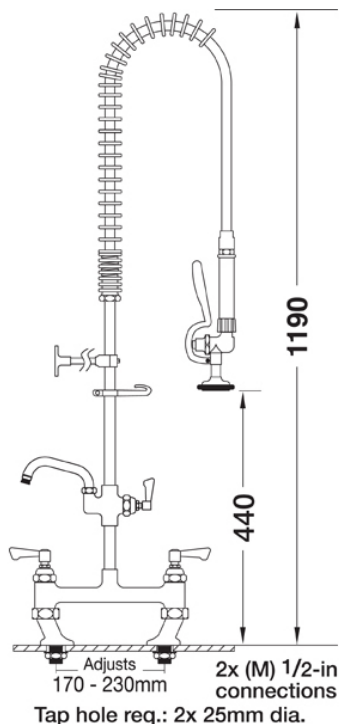
**Model range:** AquaJet 30  
**Base:** AJPR30  
**Style:** Standard  
**Bowl filler:** 150mm bowl filler (BF1)  
**Spray gun:** Standard  
**Pedestal:** Twin  
**Mount:** Deck mounted  
**Water feed:** Twin  
**Controls:** Lever  
**Connect:** 2x (M) 1/2-inch  
**Accredita:** WRAS

### FEATURES & BENEFITS

- A variety of choices to suit each application.
- WRAS approved across the range.
- Pre-assembled, ready to install - saves time on site.
- All assembled models are factory tested up to 6 bar for quality assurance.
- Choice of optional bowl fillers, water dispensing guns and accessories.
- Restraining device available to prevent hose from overstretching into basin, which reduces abuse and helps meet Water Board regulations.
- Super strong, food-grade, high-flow water hose.

### TECHNICAL INFO

- Connections: 2x (M) 1/2-inch
- Tap hole req: 2x 25mm
- Flow rates: 7.99 lpm tested at 3 bar pressure.



Dimensions are in millimeters. If a Cad file is required please visit [www.mechline.com](http://www.mechline.com).

### MAINTENANCE & CLEANING

Cleaning chrome: Do not use abrasive, chlorine or acid-based cleaning products. Avoid contact with concentrated bleach. Clean with soapy water using a cloth or sponge.



MECHLINE DEVELOPMENTS LIMITED

Tel: +44 (0)1908 261511 | Email: [info@mechline.com](mailto:info@mechline.com) | Web: [www.mechline.com](http://www.mechline.com)