

**Distributed By
JustCatering.Com Ltd**

10 Jessop Avenue, Norwood Green, Middlesex, UB2 5UY, UK

Tel/Fax: +44 (0)2088431712 Mobile: 07929291670

E-mail: sales@justcatering.com Web: <http://www.justcatering.com>

Pot Wash Bowls

Franke Sissons Pot Wash Bowls

Part No.	RH/LH	Size (mm)
FS-765130DSLH	LH	760 x 510 x 300mm
FS-765130DSRH	RH	760 x 510 x 300mm
FS-765138DSLH	LH	760 x 510 x 380mm
FS-765138DSLH	LH	760 x 510 x 380mm



Complete With Waste & Strainer

Part No.	RH/LH	Size (mm)
FS-76-12-SSLH	LH	760 x 510 x 300mm
FS-76-12-SSRH	RH	760 x 510 x 300mm
FS-76-12-CPLH	LH	760 x 510 x 300mm
FS-76-12-CPRH	RH	760 x 510 x 300mm
FS-76-14-SSLH	LH	760 x 510 x 380mm
FS-76-14-SSRH	RH	760 x 510 x 380mm
FS-76-14-CPLH	LH	760 x 510 x 380mm
FS-76-14-CPRH	RH	760 x 510 x 380mm

CP = Chrome Plated Waste
SS = Stainless Steel Waste

Die-Pat Fabricated Pot Wash Bowls

Bowl Only

Part No.	RH/LH	Size (mm)
IN765037LH/1.2	LH	760 x 500 x 370mm
IN765037RH/1.2	RH	760 x 500 x 370mm



With Waste & Strainer

Part No.	RH/LH	Size (mm)
EURO-76-14-CPLH/1.2	LH	760 x 500 x 370mm
EURO-76-14-CPRH/1.2	RH	760 x 500 x 370mm
EURO-76-14-SSLH/1.2	LH	760 x 500 x 370mm
EURO-76-14-SSRH/1.2	RH	760 x 500 x 370mm

CP = Chrome Plated Waste
SS = Stainless Steel Waste

Stainless Steel 304 Polished Sink Bowls

Weld In Bowls – 1mm Thickness

Polished Bowls – Without Waste

Part No.	RH/LH	Size (mm)
KIT404025P		400 x 400 x 250
KIT404030P		400 x 400 x 300
KIT454525P		450 x 450 x 250
KIT454530P		450 x 450 x 300
KIT504025P	RH/LH	500 x 400 x 250
KIT504030P	RH/LH	500 x 400 x 300
KIT604525P	RH/LH	600 x 450 x 250
KIT604530P	RH/LH	600 x 450 x 300

Please note: When ordering specify whether left or right hand waste holes are required.

Polished Bowls – With Chrome Plated Waste & Stainless Steel Strainer

Part No.	RH/LH	Size (mm)
EURO-40-10-CP		400 x 400 x 250
EURO-40-12-CP		400 x 400 x 300
EURO-45-10-CP*		450 x 450 x 250
EURO-45-12-CP		450 x 450 x 300
EURO-50-10-CP	RH/LH	500 x 400 x 250
EURO-50-12-CP	RH/LH	500 x 400 x 300
EURO-60-10-CP	RH/LH	600 x 450 x 250
EURO-60-12-CP	RH/LH	600 x 450 x 300

* Special order



Polished Bowls – With Stainless Steel Waste & Stainless Steel Strainer

Part No.	RH/LH	Size (mm)
EURO-40-10-SS		400 x 400 x 250
EURO-40-12-SS		400 x 400 x 300
EURO-45-10-SS *		450 x 450 x 250
EURO-45-12-SS		450 x 450 x 300
EURO-50-10-SS	RH/LH	500 x 400 x 250
EURO-50-12-SS	RH/LH	500 x 400 x 300
EURO-60-10-SS	RH/LH	600 x 450 x 250
EURO-60-12-SS	RH/LH	600 x 450 x 300

* Special order



Part No. T12AF
Supplied with S/S only.



Image is of bowl complete with waste and strainer (see page 39).

Stainless Steel 304 Descaled Sink Bowls

Weld In Bowls – 1mm Thickness



Descaled Bowls – Without Waste

Part No.	RH/LH	Size (mm)
IN404025		400 x 400 x 250
IN404030		400 x 400 x 300
IN504025	RH/LH	500 x 400 x 250
IN504030	RH/LH	500 x 400 x 300
IN604530	RH/LH	600 x 450 x 300

Descaled Bowls – With Stainless Steel Waste & Stainless Steel Strainer

Part No.	RH/LH	Size (mm)
INEURO-40-10-SS		400 x 400 x 250
INEURO-40-12-SS		400 x 400 x 300
INEURO-50-10-SS	RH/LH	500 x 400 x 250
INEURO-50-12-SS	RH/LH	500 x 400 x 300
INEURO-61-12-SS	RH/LH	600 x 450 x 300



Image is of bowl complete with waste and strainer (see page 39).

Weld In Bowls – Descaled With Chrome Plated Waste & Stainless Steel Strainer

Part No.	RH/LH	Size (mm)
INEURO-40-10-CP		400 x 400 x 250
INEURO-40-12-CP		400 x 400 x 300
INEURO-50-10-CP	RH/LH	500 x 400 x 250
INEURO-50-12-CP	RH/LH	500 x 400 x 300
INEURO-60-12-CP	RH/LH	600 x 450 x 300

Stainless Steel Sink Bowls

Weld In/Inset Bowls: Polished finish – 1 mm thickness

Stainless Steel Bowls Complete With Waste

Flat Flange

Part No.	RH/LH	Size (mm)	WOH
KIT252520P		250 x 250 x 200	WOH
KIT294020P		290 x 400 x 200	WOH
KIT333320P		330 x 330 x 200	WOH
KIT353220P		350 x 320 x 200	WOH
KIT403420P	RH/LH	400 x 340 x 200	WOH
KIT403425P	RH/LH	400 x 340 x 250	WOH
KIT404020P	RH/LH	400 x 400 x 200	WOH
KIT454520P		450 x 450 x 200	WOH

WOH = With Overflow Hole

Inset

Part No.	Size	Description
VDI3320	330 x 330 x 200	Inset bowl, no studs
VDI4030	400 x 400 x 300	Inset bowl, no studs

Stainless Steel 304 Descaled Sink Bowls

Weld In Bowls

Descaled Finish – 18 Gauge

Part No.	Size
HB223517DS/PL	229mm x 356mm x 178mm deep weld in basin

Please note: This bowl requires a [WK0187](#) waste as an extra (see page 39).



Please note: When ordering please specify whether left or right hand waste holes are required. These bowls come complete with VASF waste and overflow. Some bowls are not ex-stock. For more information on delivery, please contact our sales team.



Part No. VASF



Overflow & Waste Assemblies

Overflow Tubes, Strainers & Wastes For Sink Bowls & Wash Basins



Overflow Tubes Stainless Steel To Suit 1-1/2" BSP

Part No.	Seat Material	Length
E130240	Swedged	7 1/2" (190mm)
E130242	Swedged	10" (250mm)
E130244	Swedged	12" (300mm)

Overflow Tubes Brass Nickel Plated To Suit 1-1/2" BSP

Part No.	Seat Material	Length
E150240	Neoprene	7 1/2" (190mm)
E150242	Neoprene	10" (250mm)
E150244	Neoprene	12" (300mm)

Please note: All the brass nickel plated overflow tubes fit the E181822 and E181500 (70mm face flange dia.) stainless steel drains and the E191823 (89mm face flange dia.) stainless steel drain.

Wastes To Suit A Range Of Wash Hand Basins

Part No.	Description	To Suit Basin
SR1	Combined waste and overflow	To fit VR range of bowls, bowl height up to 200mm
WK0187	Combined waste and overflow	HB223517DS/PL and SR
WK0187/700	1 1/2" waste kit overflow assembly. Flange 89mm diameter	Can be used on up to 380mm deep bowls
BSW1PC	Waste and chain stay	HB240S, HB230R and HB230RW
FWW1PC	Combined waste and overflow	HB300R, HB290S, HB320S, HB430S, HB260R, HB305RW, HB260RW
VASF	1 1/2" waste kit for slotted overflow. Flange 70mm diameter	All 300mm deep bowls

Part No.	Description
SD17	1 1/2" brass chrome plated waste with chrome plated overflow tube, 155mm long
SD20	1 1/2" brass chrome plated waste with chrome plated overflow tube, 180mm long
SD25	1 1/2" brass chrome plated waste with chrome plated overflow tube, 235mm long
SD30	1 1/2" brass chrome plated waste with chrome plated overflow tube, 267mm long

Stainless Steel Round Sink Bowls

Weld In Bowls - Flat Flange

Polished Finish



Part No.	Size
KITD2618*	260mm dia. x 180mm deep parallel sides
KITD3018*	300mm dia. x 180mm deep parallel sides
KITD3618*	360mm dia. x 180mm deep parallel sides

** Complete with VASF waste kit*

Polished Finish

Part No.	Internal Diameter
VR36*	360mm x 170mm deep
VR38*	380mm x 170mm deep
VR42*	420mm x 170mm deep

** Complete with SR1 waste kit*



Inset Bowls – Lipped Flange



Polished Finish

Part No.	Internal Diameter	Flange Diameter	Fixings
VR30i*	300mm x 180mm deep	394mm	Three stud fixings. No ribs in base
VR38i*	380mm x 170mm deep	414mm	
VR42i*	420mm x 170mm deep	454mm	

** Complete with SR1 waste kit*

Stainless Steel 304 Wash Hand Basins

Wash Hand Basins – Welded In / Inset



Polished Finish

Part No.	Item	Size	Gauge S/S
HB230R	D	230mm dia. x 150mm deep inset rim	18
HB230RW	F	230mm dia. x 150mm deep weld in rim	16
HB260R	D	260mm dia. x 160mm deep inset rim	18
HB260RW	F	260mm dia. x 160mm deep weld in rim	16
HB300R	D	290mm dia. x 160mm deep inset rim	18
HB305RW	F	305mm dia. x 160mm deep weld in rim	16



Part No.	Item	Size	Gauge S/S
HB300R/I	E	290mm dia. x 160mm deep c/w studs for inseting	18
HB320i**	A	290mm dia. x 160mm deep c/w studs for inseting	18
HB290i*	B	290mm dia. x 160mm deep c/w studs for inseting	18

All the above bowls are supplied complete with a FWWIPC waste kit

* Offset rim, 1 tap hole
** Offset rim, 2 tap holes

Wall Mounted Stainless Steel 304 Wash Hand Basins

Wash Hand Basins – Wall Mounted



Advantages for HB240S, HB290S and HBCW:

- Fully spot welded assembly including apron to save installation time on site (no more nuts and bolts!)
- Keyhole mounted for easy fixing – template available
- All edges and corners rounded and folded for safety
- HB240S has an increased bowl size, making it more practical to use
- Superior finish



Polished Finish

Part No.	Item	Size	Bowl Size
HB240S	A	295mm x 290mm x 135mm	240mm dia. x 105mm
HB290S	B	340mm x 345mm x 160mm	290mm dia. x 160mm
HB320S	C	400mm x 350mm x 105mm	320mm dia. x 105mm
HB430S	D	485mm x 360mm x 150mm	430mm x 280mm x 150mm
HBCW	E	300mm x 300mm x 150mm	245mm dia. x 125mm

Please note all of the above include waste kits

Wall Mounted Stainless Steel 304 Wash Hand Basins



Basins A & B

Wall mounted stainless steel wash hand basin with complete integral skirt. Knee operated mixing valve, single inlet spout and hoses. A soap dispenser can be fitted or a stainless steel blanking plate supplied. This unit is fitted on the wall by keyhole slots on the back and comes complete with combined overflow waste kit.

Basins C & D

Wall mounted stainless steel wash hand basin with complete integral skirt. Two tap holes at the rear to be used with a single inlet spout and soap dispenser or a pair of basin taps. This is fitted on the wall via four key hole slots on the back and comes complete with combined overflow waste kit.



Basin E

Wall mounted stainless steel wash hand basin. Two tap holes at the rear to be used with a single inlet spout and soap dispenser or a pair of basin taps. This unit is fitted on the wall via holes on the back and comes complete with combined overflow waste kit.

Part No.	Item	Unit Width	Unit Depth	Unit Height	Bowl Size	Bowl Depth	Upstand
HB430EUROKV	A	480mm	350mm	263mm	430 x 235mm	130mm	40mm
HB335EUROKV	B	400mm	342mm	230mm	335 x 225mm	120mm	40mm
HB430EURO	C	480mm	350mm	263mm	430 x 235mm	130mm	40mm
HB335EURO	D	400mm	342mm	230mm	335 x 225mm	120mm	40mm
HB335EURONS	E	383mm	300mm	185mm	335 x 225mm	120mm	60mm

Part No.	Description
HB335/VALVE/5	Replacement knee valve
HB335/TAP/1	Replacement tap
HB335/BLANKING/1	Blanking plate

Soap Dispensers

Commercial Soap Dispenser

- 4" free-turning spout
- White polyethylene bottle, capacity: 950ml
- No dripping when not in use
- Vandal resistant locking cover (key included)



Part No. KS10-1000

Stainless Steel 304 Sink Tops

Part No.	Description
SB12-65-65-SDLH/TH	Sink top 1200mm x 650mm single bowl single drainer left hand
SB12-65-65-SDRH/TH	Sink top 1200mm x 650mm single bowl single drainer right hand
SB15-65-65-SDLH/TH*	Sink top 1500mm x 650mm single bowl single drainer left hand. *(Minimum order quantity of 7).
SB15-65-65-SDRH/TH*	Sink top 1500mm x 650mm single bowl single drainer right hand. *(Minimum order quantity of 7).
DB15-65-45-SDLH/TH	Sink top 1500mm x 650mm double bowl single drainer left hand
DB15-65-45-SDRH/TH	Sink top 1500mm x 650mm double bowl single drainer right hand
DB18-65-65-SDLH/TH	Sink top 1800mm x 650mm double bowl single drainer left hand
DB18-65-65-SDRH/TH	Sink top 1800mm x 650mm double bowl single drainer right hand
DB24-65-65-DD/TH	Sink top 2400mm x 650mm double bowl double drainer



Janitorial Range

Stainless Steel 304 Janitorial Unit

Part No.	Dimensions
DP0039	500mm x 600mm
DP0040	500mm x 700mm

Faucet, waste kit, flexible hose fittings, grate and wall bracket included.



Stainless Steel 304 Bucket Sink



Part No.	Dimensions
DPBS50	500mm x 520mm

Waste and splash back included.

Stainless Steel Upright Strainer Systems

Stainless Steel Strainer System – With Stainless Steel Waste

Part No.	Suits Bowl Height	Drain Material	Waste
EURO-SS-10	10" (250mm)	Stainless steel	E181500/R + T12A-F
EURO-SS-12	12" (300mm)	Stainless steel	E181500/R + T12A-F
EURO-SS-14*	14" (350mm)	Stainless steel	E181500/R + T12A-F

Please note all the above fit the KIT range of bowls on page 30. Waste flange diameter 72mm. * To suit IN765037 bowl



Stainless Steel Strainer System – With Chrome Plated Waste

Part No.	Suits Bowl Height	Drain Material	Waste
EURO-CP/10/01	10" (250mm)	Chrome plated	DB1/2
EURO-CP/12/01	12" (300mm)	Chrome plated	DB1/2
EURO-CP/14/01	14" (350mm)	Chrome plated	DB1/2



Stainless Steel Upright Strainer – To Suit Chrome Plated Waste DB1/2

Part No.	Suits Bowl Height	Description
SS10/CP	10" (250mm)	S/S Strainer to suit Chrome Plated Waste
SS12/CP	12" (300mm)	S/S Strainer to suit Chrome Plated Waste
SS14/CP	14" (350mm)	S/S Strainer to suit Chrome Plated Waste

WRAS Approved Chrome Plated Commercial Taps

Comprehensive Range Of Chrome Plated Polished Brass Taps Complete With Brass Lock Nuts



Part No.	Description
1000/D	1/2" Basin taps with crossheads



Part No.	Description
4100/D	1/2" Basin taps with tricon heads



Part No.	Description
1100/D	1/2" Basin taps with 3" levers
1100/6/D	1/2" Basin taps with 6" levers



Part No.	Description
2000/D	1/2" Pillar taps with crossheads



Part No.	Description
2100/D	1/2" Pillar taps with 3" levers
2200/D	1/2" Pillar taps with 6" levers



Part No.	Description
4000/D	1/2" Pillar taps with tricon heads



Part No.	Description
2010/01H	3/4 inch high neck pillar taps with cross heads. (Come singular as hot and cold).

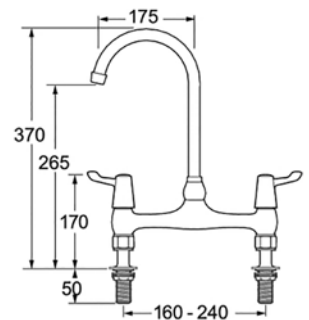
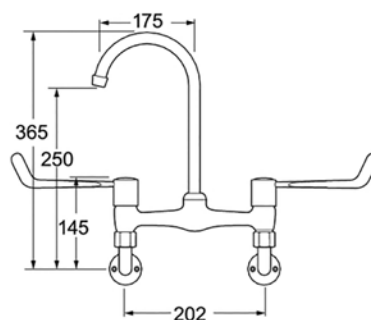
Please note this product is not WRAS approved.

Part No.	Description
2010/01C	3/4 inch high neck pillar taps with cross heads. (Come singular as hot and cold).

Please note this product is not WRAS approved.



Part No.	Description
6400/3/D	Deck mounted Lever Bridge sink mixer with 3" levers, swivel spout and divided flow
6400/6/D	Deck mounted Lever Bridge sink mixer with 6" levers, swivel spout and divided flow
6600/6/D	Wall mounted Lever Bridge sink mixer with 6" levers, swivel spout and divided flow





Part No.	Description
3007/D	1/2" Sink mixer with crossheads & 7" bi-flow swivel spout



Part No.	Description
4200/D	1/2" Sink mixer with tricon heads & 8" bi-flow swivel spout



Part No.	Description
6100/D	1/2" Sink mixer with 3" levers & 7" bi-flow swivel spout
6100/6/D	1/2" Sink mixer with 6" levers & 7" bi-flow swivel spout



Part No.	Description
4500/D	Monoblock mixer tap with tricon heads & 8" bi-flow swivel spout
6500/D	Monoblock mixer tap with 3" levers & 8" bi-flow swivel spout



Part No.	Description
CORM03/D	1/2" Self closing basin taps



Part No.	Description
CHN40/D	1/2" Bib taps with crossheads

Chrome Plated Utility Spouts & T Valve Assembly

T Valve Assembly



Part No. 8020190

Part No. OPP305.00.00

Part No.	Description
8020190	1/2" male – 1/2" female T Valve assembly
OPP305.00.00	1/2" male – 1/2" male T Valve assembly

1/2" Deck & Wall Mounted Spouts



Part No.	Description
K809004	4" Wall mounted spout
K809006	6" Wall mounted spout

K74 Series Deck Mount Spout Bases – With Swing Spouts



Part No.	Spout Reach
K749006	6" (150mm)
K749008	8" (200mm)
K749010	10" (250mm)
K749012	12" (300mm)
K749014	14" (350mm)
K749016	16" (400mm)
K749018*	18" (450mm)

* Please note this is a double jointed spout

K74 Series Deck Mount Spout Bases – With Swivel Gooseneck Spouts



Part No.	Spout Reach	Overall Height
K749000	3 1/2" (90mm)	8" (200mm)
K749001	8 1/2" (215mm)	12" (300mm)
K749002	6" (150mm)	9 1/4" (320mm)

K67 Series 6" Centres, Deck Mounted Taps

Part No.	Description
K676010	10" swing spout
K676012	12" swing spout

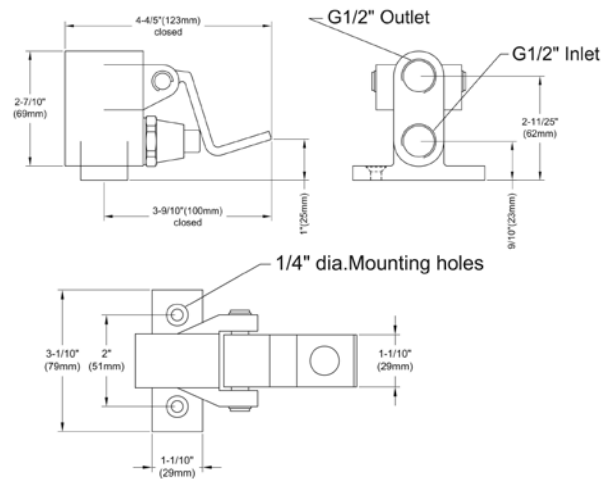


Accessories

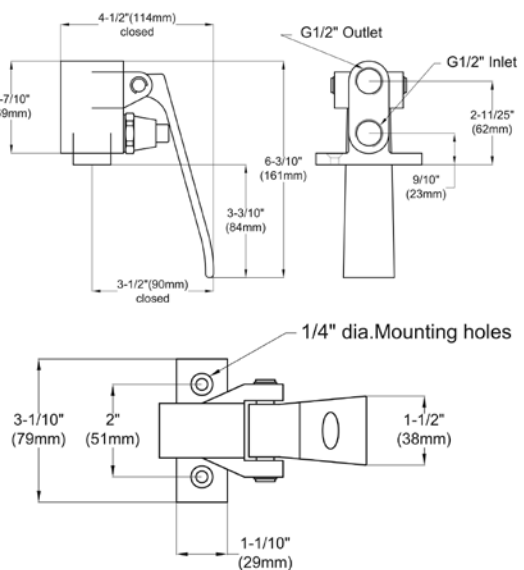
Part No.	Description
K365000	Trough inlet fitting
K366000	Swirl inlet fitting



Part No.	Description
DP252000	Single foot operated valve



Part No.	Description
DP254000	Single knee operated valve



1/4 Turn Bain Marie Drain Assembly

Part No. BMD12-1

Bain Marie drain assembly complete with quarter turn ball valve 12" chrome plated swivel spout and stainless steel nipple for welding or brazing into the base of the Bain Marie. A drain 1/2" waste can be supplied at extra cost.



Part No.	Description
E16-4171	1/2" Brass drain 2" long
E16-4172	1/2" Brass nickel plated drain 2" long

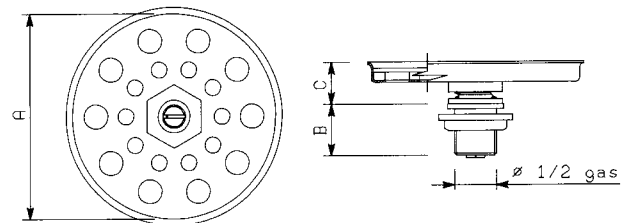
Plumbing Components

Glass Washer

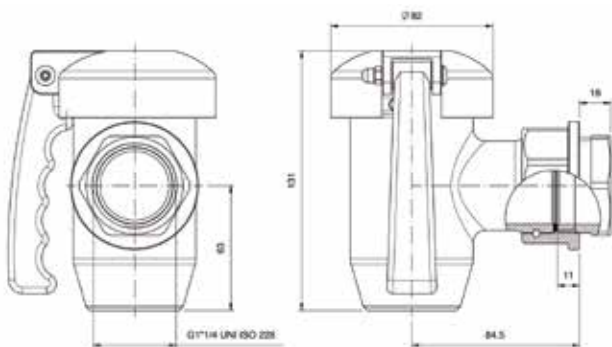
- Made of 304 stainless steel
- Plastic shock-resistant contact plate, perforated for water inlet
- Pressure activated by pushing the glass downwards



Part No.	A	B	C	No. of holes
SB1	102	26	24	20
SB11	102	26	24	10



Kettle Drain Valve



Part No.	Description
8003535/01	1 1/4" kettle drain valve