



WATER



GAS



ENVIRONMENT



PEST CONTROL


DRINKS STATIONS

BASIX H₂O~2U

Drinks stations to enable businesses to join the national drinking water scheme* by offering easily accessible drinking water for staff, customers and the public.



BENEFITS

-  - across the whole range.
- Stylish, curved design. Ideal for public and staff areas, kitchens, changing/wash rooms.
- Soft-touch press buttons with built in auto shut-off valve require no user effort.
- Tall swan neck bottle filler and deep bowl accommodates large water bottles.
- Overall design function encourages reuse and recycling of drinks containers, helping to protect the environment.



Safety in mind

High-strength injection moulded units removes the possibility of cut hazards created by sharp stainless steel edges. No sharp corners for staff, customers or the public to knock into. Child friendly.



Bottle Filler and Bubbler

Chrome-plated water bubbler and water bottle filler are robust, corrosion resistant and easy to clean. Adjustable flow screws allow the flow rates to be quickly and easily modified (using an Allen key).



Easy Installation

Mounting bracket with integral spirit level supplied with every 300 and 400 basin for fast and easy installation.





WATER



GAS



ENVIRONMENT



PEST CONTROL

DRINKS STATIONS

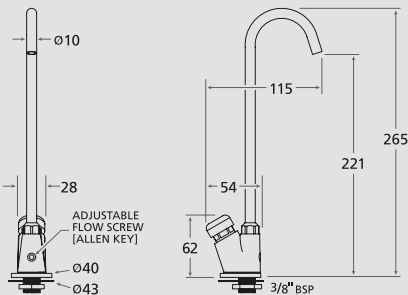
BASIX

TAP OPTIONS

- Chrome-plated
- Robust, corrosion resistant and easy to clean
- Adjustable flow screws allow the flow rates to be quickly and easily modified (using an Allen Key)
- EPDM rubber o-rings
- Double filter, to ensure users a thick and uniform water flow, to increase hygienic use and convenience
- Soft-touch press buttons with built in auto shut-off valve require no user effort
- 3/8-inch BSP thread
- Supplied with flexible connection hose - 10mm bore, 150mm length, 3/8-inch F x 15mm compression fitting
- 25 - 32mm tap hole size
- Can be purchased separately

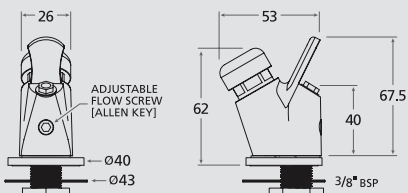
BSX-WBF

Bottle Filler



BSX-BUB

Bubbler



300 MODELS

Basin O/D: 300 x 320 x 160 Bowl: 260 dia. x 130 deep



- Wall mounted 300mm wide basin complete with drain boss and your choice of bottle filler and/or bubbler tap
- High grade polished 304 Austenitic stainless steel for the bowl and deck, and a high grade, high strength injection moulded ABS-Polycarbonate for the skirt
- Bowl and deck are permanently bonded to the skirt, removing the need for exposed bolts and rivets
- Easy to clean - integral flush grated waste
- Supplied with a mounting bracket with integral spirit level for fast and easy installation
- Optional waste bin and/or splashback available

Model	Description	WRAS Approved Product
BSX-300-WDS	BSX-300 basin with water bottle filler and bubbler	
BSX-300-WBF	BSX-300 basin with water bottle filler (includes tap hole stopper)	
BSX-300-BUB	BSX-300 basin with water bubbler (includes tap hole stopper)	

400 MODELS

Basin O/D: 400 x 360 x 160 Bowl: 358 x 310 x 160 deep



- Wall mounted 400mm wide basin complete with drain boss and your choice of bottle filler and/or bubbler tap
- High grade polished 304 Austenitic stainless steel for the bowl and deck, and a high grade, high strength injection moulded ABS-Polycarbonate for the skirt
- Bowl and deck are permanently bonded to the skirt, removing the need for exposed bolts and rivets
- Easy to clean - integral flush grated waste
- Supplied with a mounting bracket with integral spirit level for fast and easy installation
- Optional waste bin available

Model	Description	WRAS Approved Product
BSX-400-WDS	BSX-400 basin with water bottle filler and bubbler	
BSX-400-WBF	BSX-400 basin with water bottle filler (includes tap hole stopper)	
BSX-400-BUB	BSX-400 basin with water bubbler (includes tap hole stopper)	



WATER



GAS



ENVIRONMENT



PEST CONTROL

DRINKS STATIONS

BASIX

400i MODELS

Basin O/D: 400 x 360 x 510 Bowl: 358 x 310 x 160 deep

BSX-400i-WDS



- Wall mounted 400mm wide basin with integral splashback complete with drain boss and your choice of bottle filler and/or bubbler tap
- High grade polished 304 Austenitic stainless steel for the bowl and deck, and a high grade, high strength injection moulded ABS-Polycarbonate for the skirt
- Bowl and deck are permanently bonded to the skirt, removing the need for exposed bolts and rivets
- Easy to clean - integral flush grated waste
- Supplied with a mounting bracket with integral spirit level for fast and easy installation
- Optional waste bin available

BSX-400i-BUB

with

BSX-WASTE-BIN

Model	Description	WRAS
BSX-400i-WDS	BSX-400i basin with water bottle filler and bubbler	
BSX-400i-WBF	BSX-400i basin with water bottle filler (includes tap hole stopper)	
BSX-400i-BUB	BSX-400i basin with water bubbler (includes tap hole stopper)	

FURTHER OPTIONS

BSX300-SPL

- Optional splashback for 300 models only
- High grade polished 304 Austenitic stainless steel
- 315(H) x 300(W)



BSX-WASTE-BIN

- Optional waste bin for 300, 400 and 400i models only
- High density polyethylene
- Hangs neatly under the basin



WS1 MODELS

Basin O/D: 355 x 320 x 195 Bowl: 255 x 278 x 110 deep

WS1-G-WDS



WS1-W-WBF

with

SPL-WS1-WHITE



- Wall mounted 355mm wide basin complete with drain boss and your choice of bottle filler and/or bubbler tap
- Standard grey or white available
- Engineered from a single-piece of moulded high grade polycarbonate ABS plastic
- SaniTru® antimicrobial additive embedded in the basin material resists mould, mildew and grime to provide a cleaner surface
- Ergonomic, attractive, strong and durable with no sharp edges or exposed bolts and rivets
- Optional splashback available

Model	Description	WRAS
WS1-G-WDS	WS1 GREY basin with water bottle filler and bubbler	
WS1-G-WBF	WS1 GREY basin with water bottle filler (includes tap hole stopper)	
WS1-G-BUB	WS1 GREY basin with water bubbler (includes tap hole stopper)	
WS1-W-WDS	WS1 WHITE basin with water bottle filler and bubbler	
WS1-W-WBF	WS1 WHITE basin with water bottle filler (includes tap hole stopper)	
WS1-W-BUB	WS1 WHITE basin with water bubbler (includes tap hole stopper)	

SPL-WS1

- Optional splashback for WS1-G (grey) models only
- High grade polycarbonate ABS plastic
- 245(H) x 342(W)



SPL-WS1-WHITE

- Optional splashback for WS1-W (white) models only
- High grade polycarbonate ABS plastic
- 245(H) x 342(W)





WATER



GAS



ENVIRONMENT



PEST CONTROL

DRINKS STATIONS

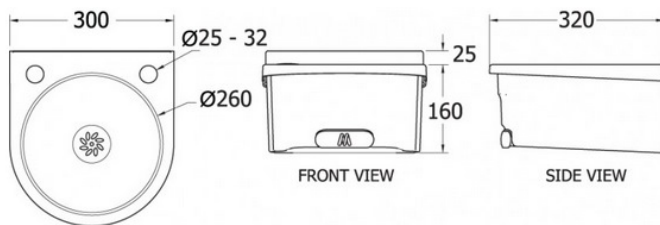
*Mechline's range of BaSix H2O~2U Drinks Stations help businesses engage with the National Drinking Water Scheme and play their part in reducing plastic pollution.

The National Drinking Water Scheme is a collaborative drive between water companies and the Refill campaign who have called on high street retailers, including coffee shops and restaurants, to offer refill points for the public to top-up their water bottles in order to significantly cut plastic bottle use.

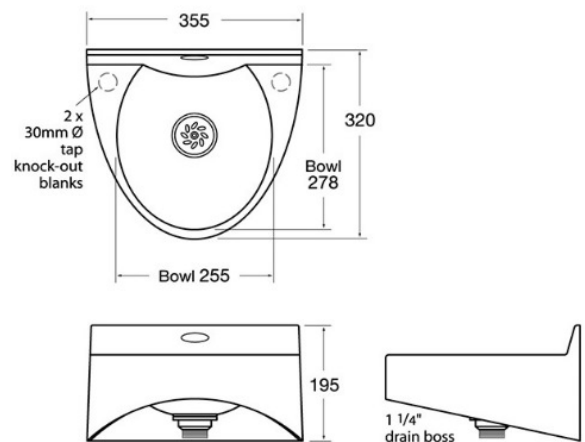


Join the National Drinking Water Scheme

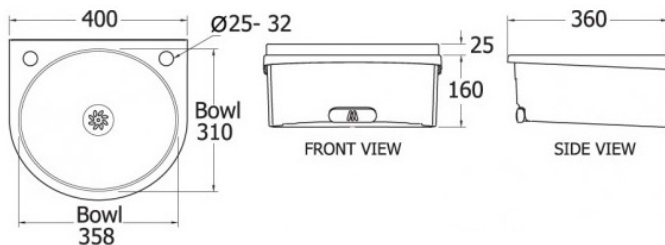
BSX-300



WS1



BSX-400



JustCatering.Com

**Distributed By
JustCatering.Com Ltd**

10 Jessop Avenue, Norwood Green, Middlesex, UB2 5UY, UK

Tel/Fax: +44 (0)2088431712 Mobile: 07929291670

E-mail: sales@justcatering.com Web: <http://www.justcatering.com>



The WRAS Approved Product logo is a certification mark which is owned by WRAS Ltd.