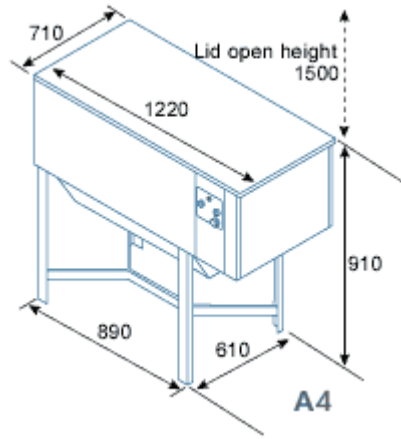


A4 BURNISHER TECHNICAL SPECIFICATION



| | |
|-------------|-------------------------------------------------------------------------------------------------------|
| | A4 model |
| Capacity | Up to 300 pieces of cutlery or one silver item up to 220mm ϕ |
| Motor | 0.25kW (0.33 HP) |
| Voltages | 220/240-1-50 380/415-3-50 |
| Fuse Rating | 1 Phase:10A 3 Phase:5A |
| | STANDARD EQUIPMENT |
| | 70kg carbon steel balls, 10kg burnishing powder, 1kg degreasant, teapot rod, division plates |
| | OPTIONAL EQUIPMENT |
| | burnishing powder degreasant |

[print](#) [close](#)