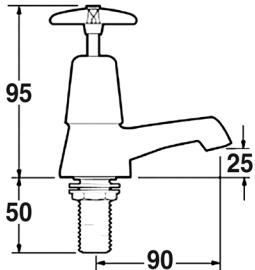
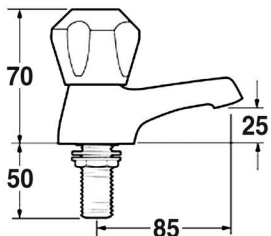
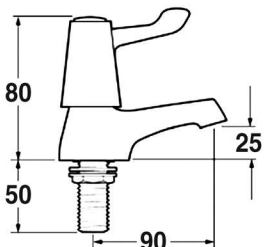
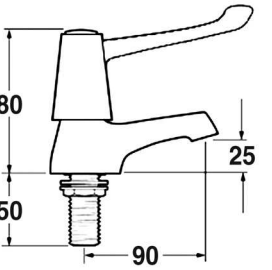
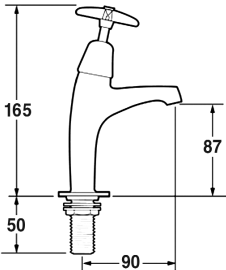
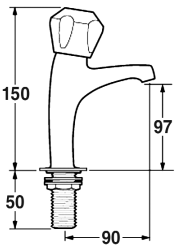
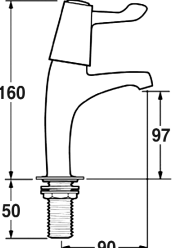
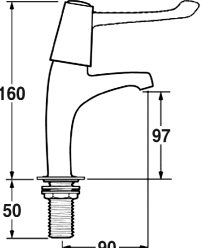
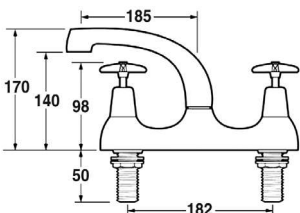
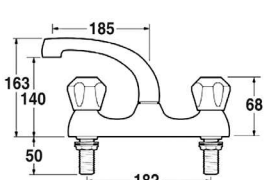
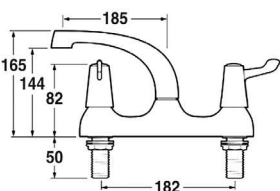
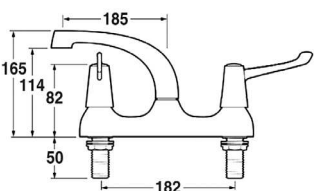
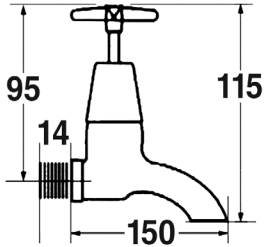
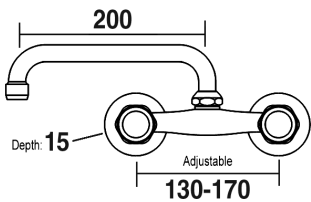
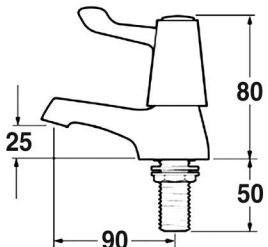
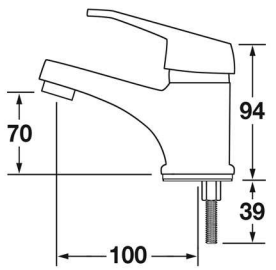


CaterTap Technical Information

Cross Head	Dome Head	3-inch Lever	6-inch Lever
<p>500 BX</p> 	<p>500 BD</p> 	<p>500 BL3</p> 	<p>500 BL6</p> 
<p>500 SX</p> 	<p>500 SD</p> 	<p>500 SL3</p> 	<p>500 SL6</p> 
<p>500 MX</p> 	<p>500 MD</p> 	<p>500 ML3</p> 	<p>500 ML6</p> 
<p>500 WX</p> 	<p>500 MDW</p> 	<p>Single Lever</p>	
		<p>500 BL3-Single</p> 	<p>500 ML-Single</p> 

- Dimensions shown are in mm
- 1/2-inch connections
- Recommended tap hole req.: 25mm dia.
- Backed by **Mechline** warranty