

MODEL: **Delabie DLB-D5106**



DELABIE

Delabie 1/2-inch Dome Head Sink Tap with 150mm Swivel Spout

Pedestal: Single Hole
Mount: Deck mounted
Controls: Dome
Connections: 1/2-inch
Tap type: Sink
Spout: 150mm swivel

FEATURES & BENEFITS

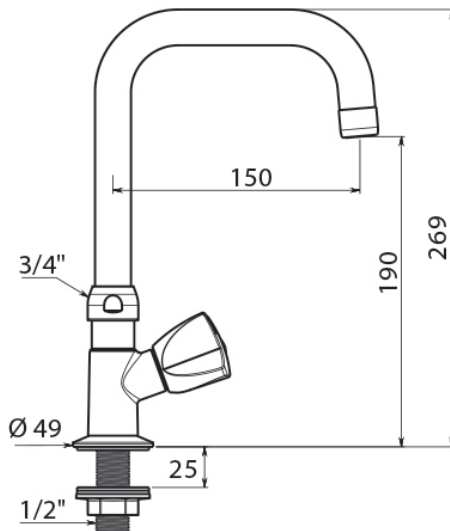
- Pillar tap with Long-Life valve head.
- DELTA chrome-plated control knob.
- H. 190mm, L. 150mm.
- Scale-resistant flow straightener regulated to 3 lpm.
- Body and spout in chrome-plated brass.

TECHNICAL INFO

- Connection(s): M1/2-inch.
- Height: 190mm.
- Length: 150mm.
- Flow rate: 3 lpm.

MAINTENANCE & CLEANING

Cleaning chrome: Do not use abrasive, chlorine or acid-based cleaning products. Avoid contact with concentrated bleach. Clean with soapy water using a cloth or sponge.



Dimensions are in millimeters. If a Cad file is required please visit www.mechline.com.



MECHLINE DEVELOPMENTS LIMITED

Tel: +44 (0)1908 261511 | Email: info@mechline.com | Web: www.mechline.com