



H2O Plumbing Range

The Complete Source for Catering Hardware



Welcome

Die-Pat Divisions Limited H2O Plumbing Range brochure includes a vast range of Pre-Rinse Units, taps and accessories. Stock items are available for next day delivery if ordered before 4pm.



Pre-Rinse Units – Straight Arm	2
MINI Pre-Rinse Units	3
Pre-Rinse Units – Flexible Hose	4
Pre-Rinse Parts & Accessories	6
Electronic Tap	9
Waste Outlets	10
Dipperwell Assembly	10
Taps – Mix & Match	11
Taps	12
Tap Parts	14
Die-Pat Product Range	16

Edition: DPD-B-H2OPR-0811

© Die-Pat Divisions Limited 2011

All rights reserved. No part of this publication may be reprinted or reproduced or utilised in any form or by any electronic, mechanical or other means, now known or hereafter invented, including photocopying and recording, or in any information storage or retrieval system, without permission in writing from Die-Pat Divisions Limited.

Printed in the UK.

Pre-Rinse Units – Straight Arm



The H2O Pre-Rinse Units are heavy duty units suitable for commercial kitchens, restaurants and hotels.

These units include check valves to prevent cross-flow, 12" wall brackets for secure installation and heavy duty swivel arm support for the straight arm units to strengthen and prevent damage.

The straight arm Pre-Rinses start from 35" (895mm) in height. Accessories and add-on taps are available for all units.



DP605026-12

Straight arm, double deck mounted, Pre-Rinse Unit with heavy duty swivel arm support



DP635032-12

Straight arm, single deck mounted, Pre-Rinse Unit with heavy duty swivel arm support



DP535032-12

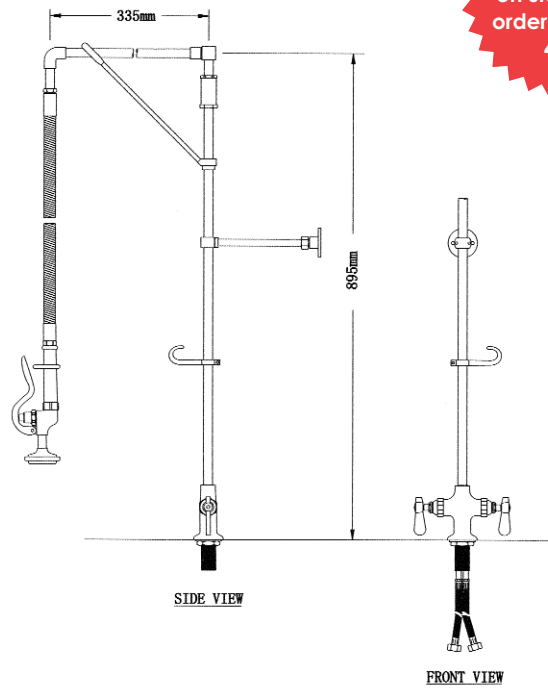
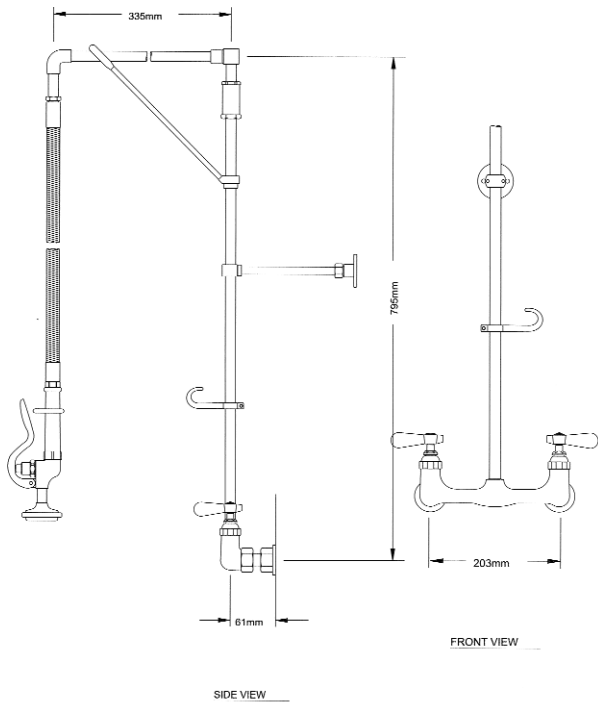
Straight arm, double wall mounted, Pre-Rinse Unit with heavy duty swivel arm support



DP505026-12

Straight arm, monobloc mounted, Pre-Rinse Unit with heavy duty swivel arm support

NEXT DAY DELIVERY
on stock items
ordered before
4pm.



MINI Pre-Rinse Units

The H2O MINI Pre-Rinse Unit provides the same flexibility and performance as the standard Pre-Rinse Unit, but is suitable when space or height restrictions apply. The unit is supplied with an add-on tap and 6" swing nozzle.



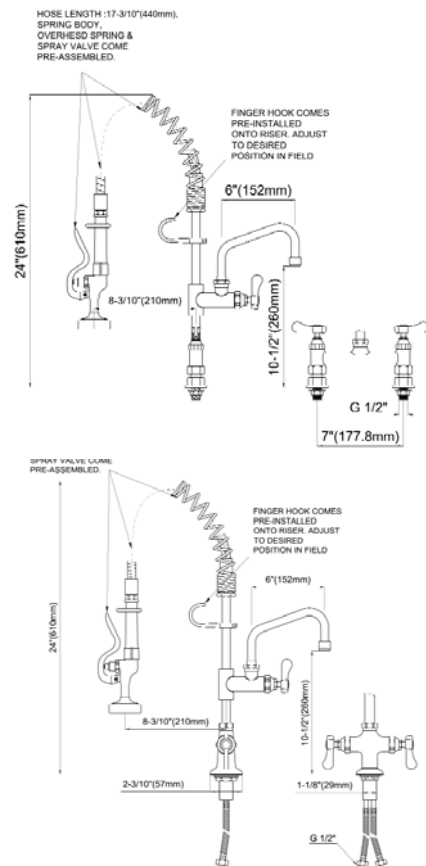
DP60MN-2

Double deck mounted, MINI Pre-Rinse Unit with flexible hose



DP50MN-2

Monobloc mounted, MINI Pre-Rinse Unit with flexible hose



Pre-Rinse Units – Flexible Hose



The flexible hose Pre-Rinse start from 45" (1143mm) in height. Units are supplied with wall bracket. Accessories and add-on taps are also available for all units.



DP691BR

Single wall mounted Pre-Rinse Unit with flexible hose



DP631BR

single deck mounted Pre-Rinse Unit
with flexible hose



DP531BR

Double wall mounted Pre-Rinse Unit with flexible hose



DP601BR

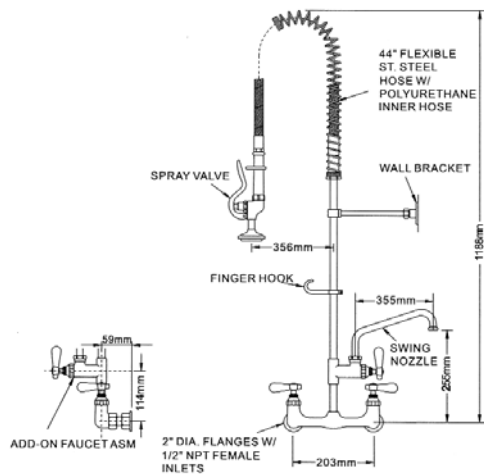
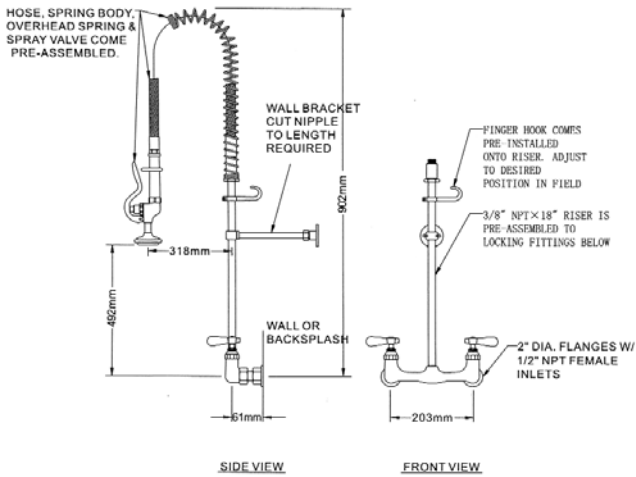
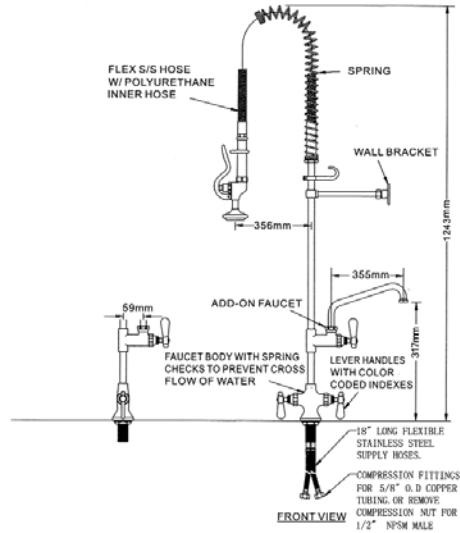
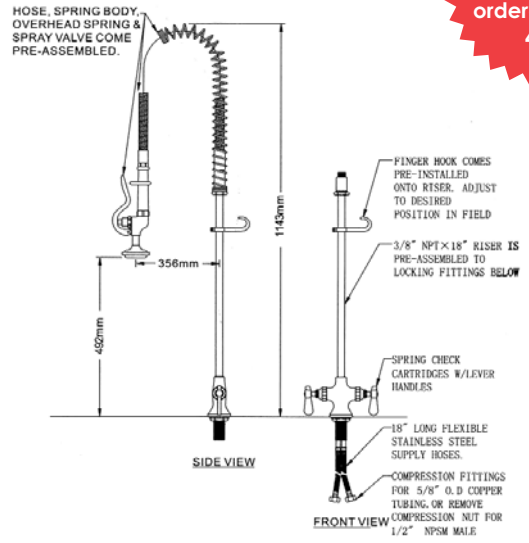
Double deck mounted Pre-Rinse Unit
with flexible hose

**NEXT DAY
DELIVERY**
on stock items
ordered before
4pm.



DP501BR

Monobloc mounted Pre-Rinse Unit
with flexible hose



Pre-Rinse Parts & Accessories



DP50Y020
Wall bracket



DP557006
Add-on tap



DP50X77
Riser pipe with wall hook

Part No:	Description:
DP557006	6" add-on tap
DP557008	8" add-on tap
DP557012	12" add-on tap



DP50X25
Pre-Rinse grip



DP50Y004
Stainless steel hose with grip

Part No:	Description:
DP50Y004	Stainless steel hose with grip
DP50Y10	Stainless steel hose only
DP50X25	Plastic hose grip

**NEXT DAY
DELIVERY**
on stock items
ordered before
4pm.



DP50Y2
Spray gun



DP50Y67
Valve replacements
(One hot and one cold valve replacement per pack)



DP63Y001
Single deck mounted tap body only



DP60Y003
Double deck mounted tap body only



DP50Y001
Monobloc mounted tap body only



DP70Y001
Single wall mounted tap body only



DP252000
Single foot operated valve



DP50Y27
Self closing cartridge for gun



DPXDF5100
Rubber spray gun



DP254000
Single knee operated valve



DP5002
Spray gun repair kit

NEXT DAY DELIVERY
on stock items
ordered before
4pm.

Electronic Tap

This electronic **water saving** tap has a micro-computer control to enable an automatic on/off motion with a 1 second time delay. The tap comes with deck mounted fittings only and is manufactured from brass with chrome plating.

Features:

- Hands free
- **Water saving**
- Hygienic
- Infrared sensor
- Microcomputer control
- Automatic on/off switch
- 1 second time delay
- Brass with chrome plate construction
- Non-adjustable for rate at 6.5L/min at 0.1Mpa
- Battery powered – uses 4 x AA batteries (not included)



DPMS42D

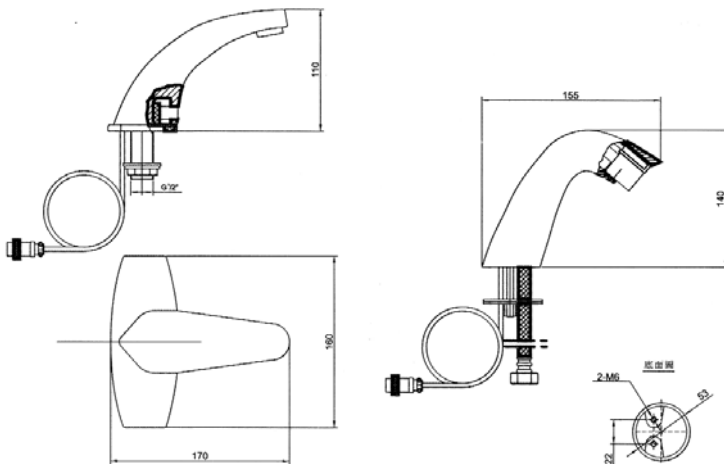
Electronic deck mounted tap

Part No:	Description:
DPMS42D	Electronic deck mounted tap
DPMS42D/KIT	Electronic deck mounted tap with mixer valve
DPGR100	Mixer valve



DPGR100

Mixer valve



Waste Outlets



DP484660
Overflow elbow



DP507210P
Twist handle drain with overflow outlet



DP504580
Overflow head

Twist handle drain

Part No:	Description:
DP507100	3.5" open end twist handle metal drain, 1.5" thread
DP507200	3.5" open end twist handle metal drain, 2" thread
DP507210P	3.5" open end twist handle plastic drain, 2" thread

Dipperwell Assembly



DP301010
Dipperwell assembly

**NEXT DAY
DELIVERY**
on stock items
ordered before
4pm.

Taps - Mix & Match

All of our taps can be mixed and matched and can be mounted in the following ways:

- Single deck mount
- Double deck mount
- Single wall mount
- Double wall mount
- Monobloc deck mount

The following pages show an extensive list of the most popular combinations. However, you can choose the mount type you require from the list above and then select the spout from the list below. Simply call our Sales Team on 01327 311 144 and they will provide you with the product codes and prices for your combination.

Spout options come in a range of sizes varying from 6" to 12" and up to 24" for the double-jointed spout.

Spout options include:

- Gooseneck spout
- Swing spout
- Double-jointed spout

Wrist Blades

Wrist blades provide the user with full functionality of the tap without having to use your hands to turn the water on or off. This enables a higher standard of hygiene to be maintained. A selection of our taps are also available with wrist blades. Call our Sales Team on 01327 311 144 to obtain a quote for this additional feature.



Taps



Double deck mounted gooseneck pantry tap



Double deck mounted pantry tap

Part No:	Description:
DP617002	6" double deck mounted gooseneck pantry tap
DP617001	8" double deck mounted gooseneck pantry tap

Part No:	Description:
DP617006	6" double deck mounted pantry tap
DP617008	8" double deck mounted pantry tap
DP617010	10" double deck mounted pantry tap
DP617012	12" double deck mounted pantry tap



DP617024

Double deck mounted tap with a double jointed spout



Double wall mounted pantry tap

Part No:	Description:
DP548006	6" double wall mounted pantry tap
DP548008	8" double wall mounted pantry tap
DP548012	12" double wall mounted pantry tap

NEXT DAY DELIVERY
on stock items
ordered before
4pm.



Monobloc pantry tap

Part No:	Description:
DP519006	Deck mounted monobloc pantry tap with 6" swing spout
DP519008	Deck mounted monobloc pantry tap with 8" swing spout
DP519010	Deck mounted monobloc pantry tap with 10" swing spout
DP519012	Deck mounted monobloc pantry tap with 12" swing spout
DP519016	Deck mounted monobloc pantry tap with 16" swing spout



Monobloc pantry tap

Part No:	Description:
DP519000	Deck mounted monobloc pantry tap with 3 1/2" gooseneck spout
DP519002	Deck mounted monobloc pantry tap with 6" gooseneck spout



DP517024

Double deck mounted monobloc pantry tap with a double jointed spout



DP265000

Glass filler



Single wall mounted pantry tap

Part No:	Description:
DP709008	8" single wall mounted pantry tap
DP709010	10" single wall mounted pantry tap
DP709012	12" single wall mounted pantry tap

Tap Parts



Swing nozzle



DP009DJ

24" Double jointed spout only

Swing Nozzle

Part number:	Description:	Length:
DP11X6	6" swing nozzle	6" (152mm)
DP11X8	8" swing nozzle	8" (203mm)
DP11X10	10" swing nozzle	10" (254mm)
DP11X12	12" swing nozzle	12" (305mm)
DP11X16	16" swing nozzle	16" (406mm)

NEXT DAY DELIVERY
on stock items
ordered before
4pm.



DP60Y003

Deck mounted mixer unit body only



DP50Y001

Deck mounted monobloc unit body only



DP11X112

12" extension spout for tap



DP70Y001

Single wall mounted body only



Gooseneck Spout



DP63Y001

Single deck mounted body only

Part number:	Description:	Spread:	Height:
DP11X2	6" gooseneck spout	5-11/16" (150mm)	10-3/8" (264mm)
DP11X1	8" gooseneck spout	7-3/4" (200mm)	11-7/16" (290mm)

Die-Pat Product Range

- Equipment Legs & Accessories
- Castors and Accessories
- Plumbing Components
- Canopy Hood Accessories
- Refrigeration Components
- Walk-in Hardware
- Cafeteria Components
- Cabinet Hardware
- Fabrication Supplies
- SaniGuard
- Stainless Steel Doors & Drawers
- Electrical Components



To request any of the above product brochures, please call us on **01327 311 144** or email us at **enquiries@die-pat.co.uk**

Find out about our Current Promotions by visiting:

www.die-pat.co.uk/promotions



Directions

From North

Exit M1 at Junction 18
Follow A5 South to A361 signposted Daventry
Follow A425 Northern Way, then South Way
signposted to Long March Industrial Estate
Take first right into Broad March
Die-Pat is situated on the right-hand side

From South

Exit M1 at Junction 16
Follow A45 signposted Daventry
At first roundabout take third exit onto South Way
Take first left into Long March
Take first right into Broad March
Die-Pat is situated on the right-hand side