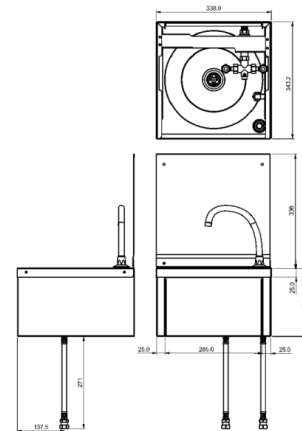


ANIMA washbasin with knee actuation

MODEL RANGE: ANIMA | ANMX212N | 203.0478.868

Washbasins & Washtroughs | Wash basins



Knee operated wash hand basin is manufactured from stainless steel - satin polish finish, material thickness 0.9 mm. Supplied complete with water spout positioned in rear right hand corner and 32 mm waste outlet. Note: The pre-mixing valve and the pipework linking the water spout to the knee operated front panel is all supplied with the washbasin. Wall mounted by fitting a top joggle strip under the upstand return and by screw fixing through the integral rear brackets. Screws and plugs are not supplied.

Dimensions 338 x 535 x 343 mm (W x H x D) Bowl dimensions 285 x 150 mm (W x D)

Technical data

Bowl width	150.00 mm
Bowl depth	288.00 mm
Overall height	535.00 mm
Overall width	338.00 mm
Tap hole diameter	29.00 mm
Material	Stainless steel
Material code	1.4301 Chrome Nickel steel V2A
Tap hole position	Right
Type of mounting	Wall mounting
Bowl shape	Circle
Overflow	No
Splash back	Yes
Number of tap holes	1.00000
Waste kit included	Yes
Waste size	DN 32
Splash back height	336.00 mm
Type of basin	Single compartment
Product code	203.0478.868