

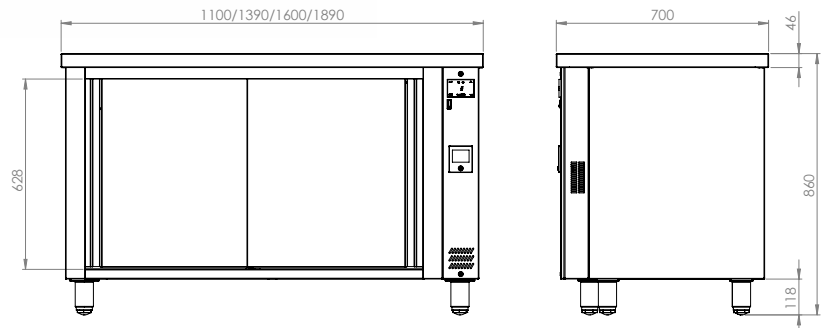
Heated Cupboards

HCP14

**304
STAINLESS
STEEL**



Suitable for all gantry options - see page 157



FEATURES

High grade AISI 304 stainless steel exterior & interior

Double-wall doors insulated with pressurized polyurethane foam

Fan assisted heating

Adjustable legs

1 fixed perforated shelf

TECHNICAL SPECIFICATIONS

Controller: Digital controller with temperature display

Temperature Range: +30°C ~ +72°C

Power Supply: 13amp

MODEL	NO. OF PLATED MEALS	NO. OF PLATES	EXTERNAL DIMENSIONS (H x W x D mm)	POWER CONSUMPTION	WEIGHT (kg)	RRP
HCP11	91	695	860 x 1100 x 700	1450W	79	£1,017.00
HCP14	111	850	860 x 1390 x 700	1450W	91	£1,129.00
HCP16	133	1000	860 x 1600 x 700	1850W	104	£1,231.00
HCP19	155	1200	860 x 1890 x 700	1850W	117	£1,350.00

OPTIONAL EXTRAS

Castors supply & fitted prior to dispatch	£118.00
---	---------



Gantries & Halogen Heated Box

RE318



**304
STAINLESS
STEEL**

RD316 shown with XWH16
fitted to top shelf



XWH19



HCP14 shown with RD314 and XWH14
fitted to top shelf.

Note: additional fitting charge applied prior
to delivery



FEATURES - GANTRIES

High grade AISI 304 stainless steel exterior & interior

Designed to fit Inomak hot cupboards, ambient cupboards
and open type bains marie

FEATURES - HALOGEN HEATED BOX

Heat & light provided by 130W halogen lamps

MODEL	DESCRIPTION	NOTE	DIMENSIONS (H x W x D mm)	POWER CONSUMPTION	RRP
RE311	Single Gantry		400 x 1100 x 300	-	£261.00
RE314	Single Gantry		400 x 1400 x 300	-	£291.00
RE316	Single Gantry		400 x 1600 x 300	-	£332.00
RE318	Single Gantry	accepts XWH19	400 x 1780 x 300	-	£356.00
RE319	Single Gantry		400 x 1900 x 300	-	£377.00
RD311	Double Gantries		765 x 1090 x 333	-	£330.00
RD314	Double Gantries		765 x 1390 x 333	-	£391.00
RD316	Double Gantries		765 x 1590 x 333	-	£443.00
RD318	Double Gantries	accepts XWH19	765 x 1780 x 333	-	£489.00
RD319	Double Gantries		765 x 1890 x 333	-	£512.00
XWH11	Halogen Heated Box	3 lamps	60 x 950 x 122	450W	£288.00
XWH14	Halogen Heated Box	4 lamps	60 x 1252 x 122	600W	£320.00
XWH16	Halogen Heated Box	5 lamps	60 x 1452 x 122	750W	£354.00
XWH19	Halogen Heated Box	6 lamps	60 x 1752 x 122	900W	£398.00
Fitting charge - gantry to equipment					£83.00
Fitting charge - heated box to gantry (per heated box)					£33.00

Wall & Base Units

For Dry Storage

**304
STAINLESS
STEEL**

ES764C



ET314A



ESS752C



EG714



FEATURES

High grade AISI 304 stainless steel construction

Double-wall doors, reinforced with pressurised polyurethane foam.

ET wall cupboards – adjustable shelves

EG base cupboards – fixed shelves and adjustable feet

MODEL	DESCRIPTION	SHELF	EXTERNAL DIMENSIONS (H x W x D mm)	WEIGHT (kg)	RRP
ES764C	4 drawer pedestal	N/A	870* x 520 x 700	46	£673.00
ESS752C	Storage cupboard	N/A	870* x 520 x 700	29	£618.00
EG710	Base storage cupboard with sliding door	1x Fixed Shelf	870* x 1100 x 700	64	£698.00
EG714			870* x 1400 x 700	78	£796.00
EG716			870* x 1600 x 700	89	£897.00
EG719			870* x 1900 x 700	101	£1,014.00
* Note: Height adjustable from 870mm to 900mm					
ET311A	Wall mounted storage cupboards with sliding doors	1x Adjustable Shelf	692 x 1100 x 403	32	£528.00
ET314A			692 x 1400 x 403	39	£615.00
ET316A			692 x 1600 x 403	43	£675.00
ET319A			692 x 1900 x 403	52	£764.00

Work Benches & Centre Tables

TL711U



TL714 shown with ST300 fitted to left and ST100 fitted to right



ST100



ST300



**304
STAINLESS
STEEL**

FEATURES

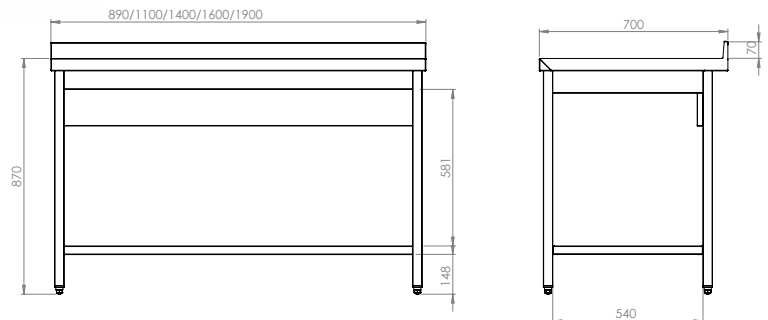
High grade AISI 304 stainless steel construction

Adjustable feet

5 lengths from 890mm - 1900mm

Wall benches 65mm upstand

Supplied flat packed for easy assembly on site



MODEL	DESCRIPTION	DIMENSIONS (H x W x D mm)	WEIGHT (kg)	RRP
TL709U	Wall bench	870* x 890 x 700		£305.00
TL711U		870* x 1100 x 700	38	£336.00
TL714U		870* x 1400 x 700	47	£382.00
TL716U		870* x 1600 x 700	52	£419.00
TL719U		870* x 1900 x 700	60	£458.00
* Note: Height including upstand is 940mm				
TL709	Centre table	870 x 890 x 700	29	£296.00
TL711		870 x 1100 x 700	37	£323.00
TL714		870 x 1390 x 700	45	£366.00
TL716		870 x 1600 x 700	50	£403.00
TL719		870 x 1900 x 700	58	£438.00
ST100	Single drawer unit	140 x 515 x 595	-	£152.00
ST300	3 drawers unit	580 x 460 x 580	-	£450.00

Note: drawer unit sold on a supply only basis, will require fitting to table on site.

Shelving

For Dry Storage



**304
STAINLESS
STEEL**

FEATURES

High grade AISI 304 stainless steel construction

MODEL	DESCRIPTION	DIMENSIONS (H x W x D mm)	WEIGHT (kg)	RRP
RV370	Vertical shelving support for single tier shelving	370mm	0.3	£20.00
RV530	Vertical shelving support for double tier shelving	530mm	0.4	£21.00
RV850	Vertical shelving support for triple tier shelving	850mm	0.5	£22.00
RO300	Wall shelves shelf bracket	300mm	0.5	£22.00
RS3120	Wall shelves solid adjustable shelf	55 x 1200 x 350	5	£91.00
RS3140	Wall shelves solid adjustable shelf	55 x 1400 x 350	7	£103.00
RS3160	Wall shelves solid adjustable shelf	55 x 1600 x 350	7	£117.00
RS3180	Wall shelves solid adjustable shelf	55 x 1800 x 350	8	£128.00

Note: If less than 5 items from the section above are ordered there is a delivery charge of £9.95+ VAT

Shelving Pack

For Dry Storage

FEATURES

High grade AISI 304 stainless steel construction

**304
STAINLESS
STEEL**

Single Set



MODEL	DESCRIPTION	RRP
RS3120/S1	Includes 2x RV370 vertical supports, 2x RO300 shelf brackets, 1x RS3120 shelf	£149.00
RS3140/S1	Includes 2x RV370 vertical supports, 2x RO300 shelf brackets, 1x RS3140 shelf	£159.00
RS3160/S1	Includes 2x RV370 vertical supports, 2x RO300 shelf brackets, 1x RS3160 shelf	£171.00
RS3180/S1	Includes 2x RV370 vertical supports, 2x RO300 shelf brackets, 1x RS3180 shelf	£181.00

Double Set



MODEL	DESCRIPTION	RRP
RS3120/S2	Includes 2x RV530 vertical supports, 4x RO300 shelf brackets, 2x RS3120 shelves	£266.00
RS3140/S2	Includes 2x RV530 vertical supports, 4x RO300 shelf brackets, 2x RS3140 shelves	£287.00
RS3160/S2	Includes 2x RV530 vertical supports, 4x RO300 shelf brackets, 2x RS3160 shelves	£310.00
RS3180/S2	Includes 2x RV530 vertical supports, 4x RO300 shelf brackets, 2x RS3180 shelves	£330.00

Triple Set



MODEL	DESCRIPTION	RRP
RS3120/S3	Includes 2x RV850 vertical supports, 6x RO300 shelf brackets, 3x RS3120 shelves	£383.00
RS3140/S3	Includes 2x RV850 vertical supports, 6x RO300 shelf brackets, 3x RS3140 shelves	£414.00
RS3160/S3	Includes 2x RV850 vertical supports, 6x RO300 shelf brackets, 3x RS3140 shelves	£449.00
RS3180/S3	Includes 2x RV850 vertical supports, 6x RO300 shelf brackets, 3x RS3140 shelves	£479.00

Catering Sinks



FEATURES

- High grade AISI 304 stainless steel construction
- Adjustable feet – height adjustable from 870 - 940mm
- Bowl size 300 x 500 x 500mm
- Stainless steel apron to hide connections
- Supplied flat packed for easy assembly on site
- Pre-drilled for mixer taps – blanking plates available if hole is not required

MODEL	DESCRIPTION	DIMENSIONS (H x W x D mm)	WEIGHT (kg)	RRP
LA571C	Single bowl no drainer	870 x 750 x 700	24	£501.00
LA5111R	Single bowl left hand drainer	870 x 1100 x 700	32	£585.00
LA5111L	Single bowl right hand drainer	870 x 1100 x 700	32	£585.00
LA5141R	Single bowl left hand drainer	870 x 1400 x 700	40	£676.00
LA5141L	Single bowl right hand drainer	870 x 1400 x 700	40	£676.00
LA5142C	Double bowl no drainer	870 x 1400 x 700	42	£763.00
LA5192C	Double centre bowls with side drainers	870 x 1900 x 700	53	£878.00
LA5192R	Double bowl with left hand drainer	870 x 1900 x 700	53	£878.00
LA5192L	Double bowl with right hand drainer	870 x 1900 x 700	53	£878.00

OPTIONAL EXTRAS

Mixer tap	IS-TAPMONO	£65.00
Stainless steel drain fitting (1 3/4")	IS-DRAINFIT	£21.00
Stainless steel drain plug	IS-DRAINPLUG	£23.00
Stainless steel 10" strainer waste	P1-SS10	£67.00
Single Pedestal, twin water feed with standard lever controls and standard rose head gun	AQUAJET20	£282.00

Note: If optional extras sold separately, there is a delivery charge of £9.95+ VAT

Catering Sinks

LK5141L



LK5192L



FEATURES

High grade AISI 304 stainless steel construction

Adjustable feet – height adjustable from 870 - 920mm

Bowl size 300 x 500 x 500mm

Pre-drilled for mixer taps – blanking plates available if hole is not required

MODEL	DESCRIPTION	DIMENSIONS (H x W x D mm)	WEIGHT (kg)	RRP
LK5111R	Single bowl left hand drainer	870 x 1100 x 700	40	£849.00
LK5111L	Single bowl right hand drainer	870 x 1100 x 700	40	£849.00
LK5141R	Single bowl left hand drainer	870 x 1400 x 700	48	£922.00
LK5141L	Single bowl right hand drainer	870 x 1400 x 700	48	£922.00
LK5142C	Double bowl no drainer	870 x 1400 x 700	47	£1,009.00
LK5192C	Double centre bowls with side drainers	870 x 1900 x 700	60	£1,152.00
LK5192R	Double bowl with left hand drainer	870 x 1900 x 700	60	£1,152.00
LK5192L	Double bowl with right hand drainer	870 x 1900 x 700	60	£1,152.00

OPTIONAL EXTRAS

Mixer tap	IS-TAPMONO	£65.00
Stainless steel drain fitting (1 3/4")	IS-DRAINFIT	£21.00
Stainless steel drain plug	IS-DRAINPLUG	£23.00
Stainless steel 10" strainer waste	P1-SS10	£67.00
Single Pedestal, twin water feed with standard lever controls and standard rose head gun	AQUAJET20	£282.00

Note: If optional extras sold separately, there is a delivery charge of £9.95+ VAT

Janitorial Sink

LD571



FEATURES

High grade AISI 304 stainless steel construction

Mixer tap supplied

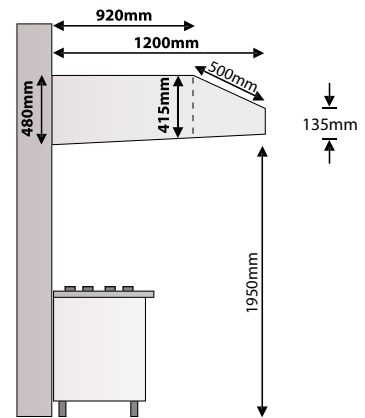
2 x drain fittings supplied

Adjustable feet

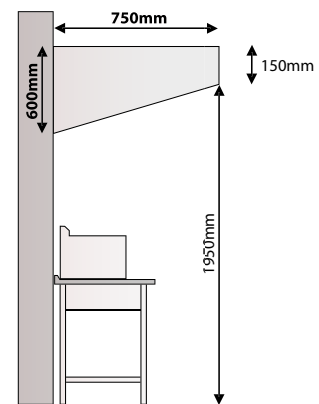
MODEL	DESCRIPTION	DIMENSIONS (H x W x D mm)	WEIGHT (kg)	RRP
LD571	Dual use sink with mixer tap over bowl, includes 2 x drain fittings	1000 x 500 x 700	21	£623.00

Exhaust Hoods

FT150



FS15L



FS200



FEATURES

High grade AISI 304 stainless steel construction

FS model suitable for low height installations (c/w light)

Holes can be positioned where required to suit site

Note – does not include extraction unit or ducting

MODEL	DESCRIPTION	FILTERS REQUIRED	DIMENSIONS (H x W x D mm)	WEIGHT (kg)	RRP
FT150	Exhaust Hood	3	480 x 1500 x 1200	40	£817.00
FT200		4	480 x 2000 x 1200	51	£909.00
FT250		5	480 x 2500 x 1200	61	£1,109.00
FS10L	Snack Hoods	2	600 x 1000 x 750	22	£651.00
FS15L		3	600 x 1500 x 750	29	£765.00
FS20L		4	600 x 2000 x 750	38	£870.00
FS25L		5	600 x 2500 x 750	45	£1,004.00
FF200	1x Baffle Filter	-	500 x 500 x 45	-	£47.00

Note: filters not included with the hoods, must be ordered separately. If not included with the hood delivery, there is a delivery charge of £9.95+VAT.