

JustCatering.Com

**Distributed By
JustCatering.Com Ltd**

10 Jessop Avenue, Norwood Green, Middlesex, UB2 5UY, UK

Tel/Fax: +44 (0)8450034271 Mobile: 07006342365

E-mail: sales@justcatering.com Web: <http://www.justcatering.com>



High Speed, High Volume **Food Waste Decomposition System**

Food waste disposal solutions using natural microorganisms.

-  **Reduces food waste disposal costs**
-  **'Future Proofs' against disposal cost increases**
-  **Energy efficient and sustainable**
-  **Environmentally friendly**
-  **Reduces landfill usage**

GohBio is an environmentally safe and responsible solution.

by **MECHLINE** 

*If you generate a high volume of organic waste, the **GohBio** solution could be right for you!*

How GohBio Works...



STEP 1

A highly refined formula of microorganisms is added to the GohBio system during setup.



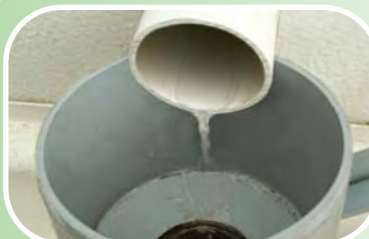
STEP 2

Food waste is added to the chamber through the hatch.



STEP 3

Water is automatically added and food wastes begin breaking down immediately.



STEP 4

Water naturally runs down the drain ending the process.

GohBio is specifically designed for the **rapid & safe decomposition of organic food waste** including:



MEAT (cooked & raw)



FISH



VEGETABLES



FRUIT



PASTA



RICE



BREAD



POULTRY



COFFEE

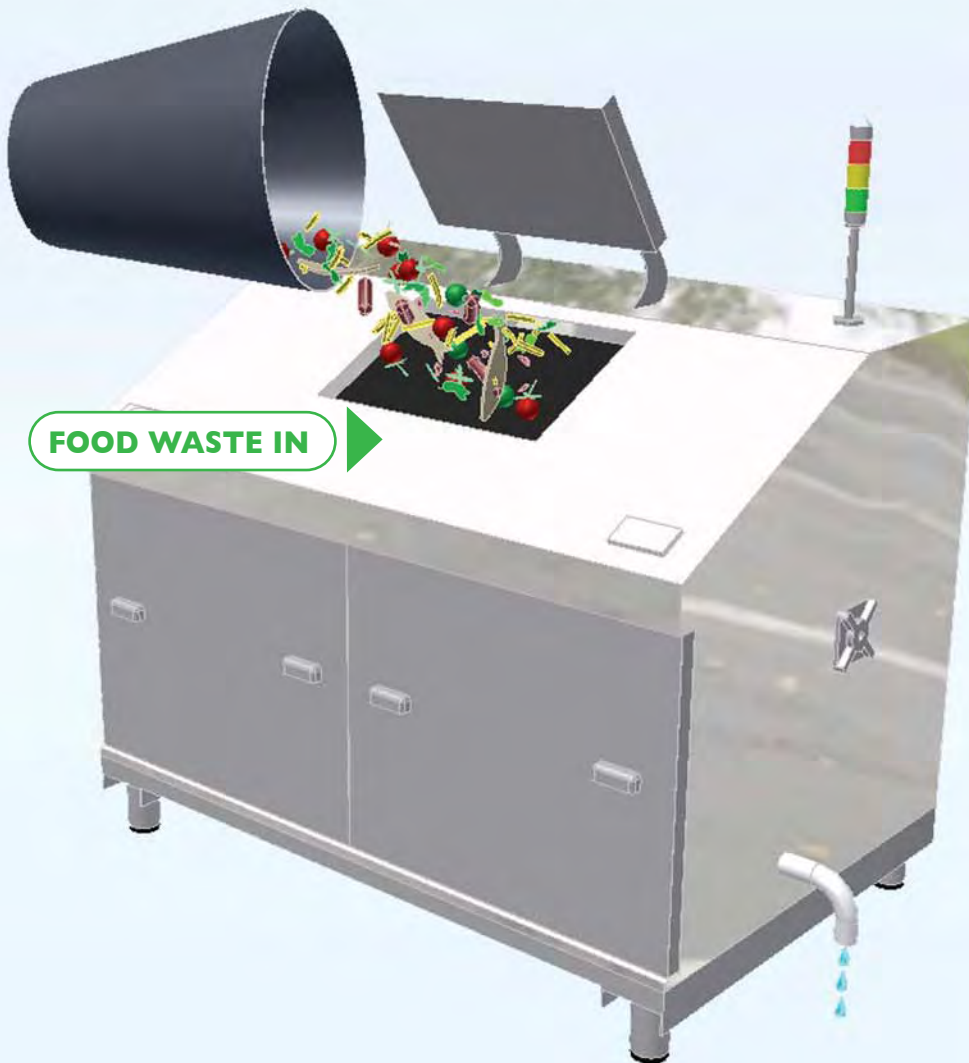


DAIRY

GohBio is an environmentally safe and responsible solution.



Food waste is made up of approximately **70% water** and is naturally wet and heavy. **Eliminating food waste** from your collections can **significantly reduce collection and landfill charges.**



Reduces landfill usage

Reduces food waste disposal costs

Provides food waste weight monitoring

Eliminates food waste storage

Reduces odour and vermin problems

Encourages proper waste stream separation

Reduces waste collection traffic

Saves space

'Future Proofs' operations against increasing food waste collection charges

Low energy usage

WATER OUT TO DRAIN



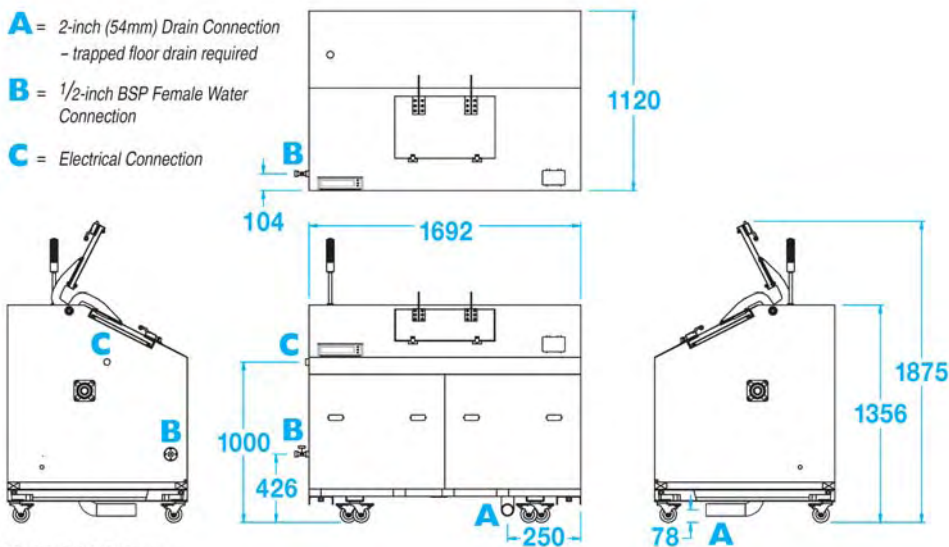


GohBio installation at the Open University, Milton Keynes, England

A = 2-inch (54mm) Drain Connection
- trapped floor drain required

B = 1/2-inch BSP Female Water Connection

C = Electrical Connection



Model: GB 550 shown

MODELS:

GB 180

180kg capacity per 24 hours

GB 360

360kg capacity per 24 hours

GB 550

550kg capacity per 24 hours

GB 680

680kg capacity per 24 hours

Dimensions shown in mm unless otherwise stated. Information and numerical data has been prepared as a general guide to the products but intending buyers & users must satisfy themselves as to the suitability and safety of the products for their particular purposes & duties. No responsibilities are assumed for errors herein. The company reserves the right to alter designs and specifications of the products without notice.



Bright *ideas* for professional kitchens



5 Year Cost Example Sheet

Information is based on test data for Machine type GB 550 installed in the UK.

Maximum machine capacity is 550Kg of food waste per 24 hours.

Machine lease cost including Delivery, installation*, enzyme and woodchip recharge, 3 monthly services and breakdown cover**	Energy costs to run the machine including water and power costs***	Total customer costs	
Monthly:	Monthly:	Monthly:	Annually:
£871.27	£126.90	£998.17	£11,978.04

Food waste disposal costs based on facility producing 400 Kg of food waste per day, paying £100 per tonne in collection charges, landfill tax, bin rental etc.		Savings	
Monthly cost:	Annual cost:	Monthly saving:	Annual saving:
£1200	£14,400	£201.83	£2,421.96

Food waste disposal costs based on facility producing 450 Kg of food waste per day, paying £100 per tonne in collection charges, landfill tax, bin rental etc.		Savings	
Monthly cost:	Annual cost:	Monthly saving:	Annual saving:
£1350	£16,200	£351.83	£4,221.96

* / ** Please refer to terms and conditions

*** Power and costs are based on UK average and may vary.

These costs are intended as examples only and are illustrated at the prevailing rate. Lease costs may vary.



Distributed BY

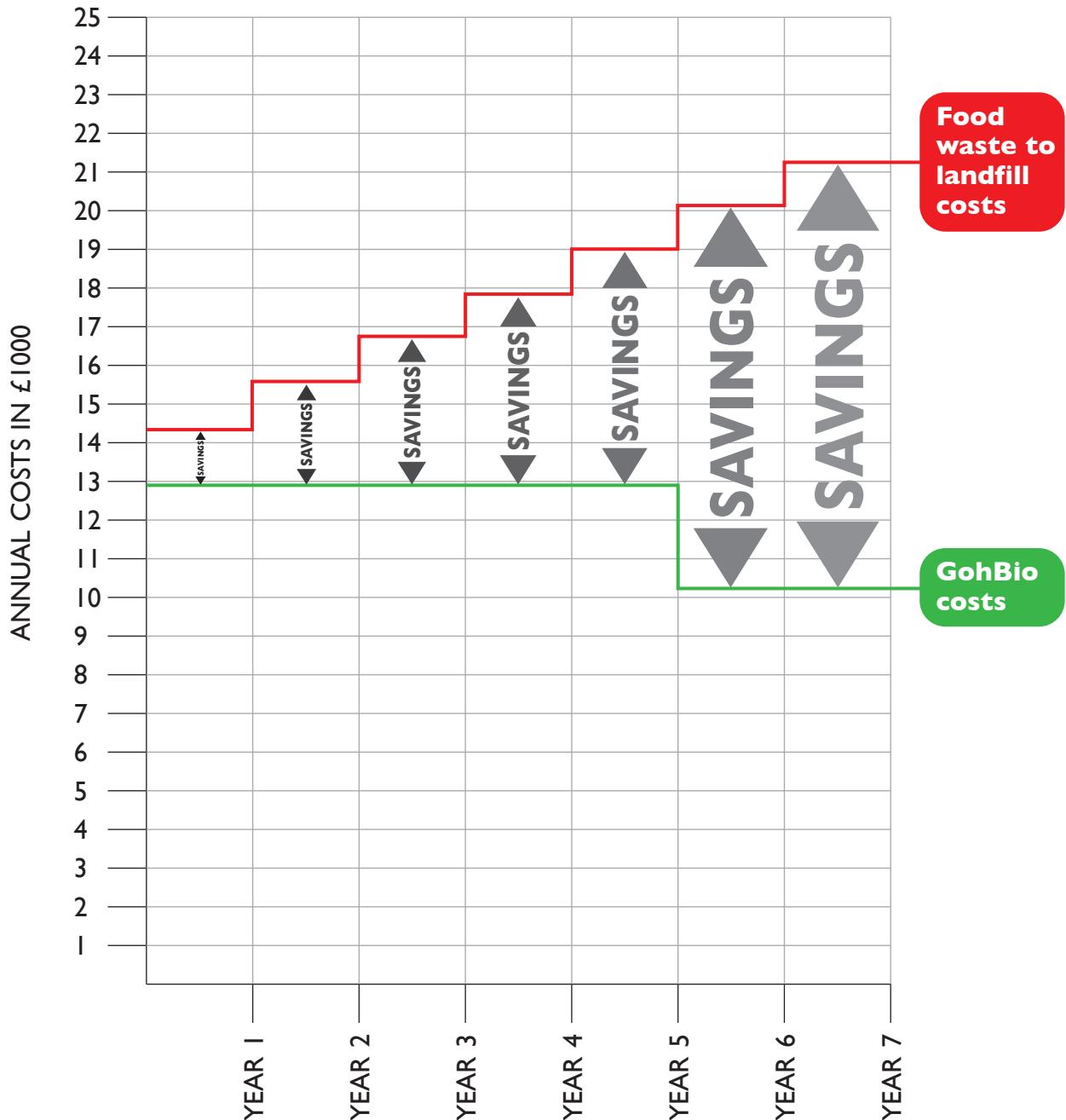
JustCatering.Com Ltd

10 Jessop Avenue, Norwood Green, Middlesex, UB2 5UY, UK

Tel +44 (0)8450034271 Mobile: 07929291670

E-mail: sales@justcatering.com Web: <http://www.justcatering.com>

5 Year Cost Example Chart



Example of cost savings that can be achieved using a GohBio GB550 machine. Example assumes that machine is purchased using a 5 year lease. Example assumes that customer is processing 400kg of food waste per day. Example assumes that food waste to landfill costs will increase by an average of £8 per tonne each year. These costs are examples only and are illustrated at the prevailing rate. Lease costs may vary. Savings can be increased if more than 400kg of food waste is processed. Maximum machine capacity is 550kg. Illustrated machine costs include service package.

[JustCatering.Com](http://www.justcatering.com)