

Gas and Electric Grills



 **BLUE SEAL**®

BLUE SEAL G91 GAS  GRILL
BLUE SEAL E91 ELECTRIC  GRILL



G91 GAS and E91 ELECTRIC GRILLS

High Speed Infra Red Burners

Infra-red burners offer significant advantages over traditional blue flame burners.

Infra-red burners are more efficient

More of the heat produced by the burners is directed on to the cooking surfaces and as a result, a significantly lower amount of gas is used.



Infra-red burners heat up faster

A Blue Seal G91 gas grill reaches its optimum performance level within 2 1/2 minutes of the burners being ignited.

Gastronorm

Blue Seal gas and electric grills are Gastronorm compatible. The racks on both units will accommodate a Gastronorm GN 1/1 tray



Easy to clean

Blue Seal gas and electric grills are simple and easy to clean. Removal of the base tray allows easy access to the interior which can be simply wiped clean.



Modular

Blue Seal gas and electric grills are constructed to a modular standard. This means they can be suite matched with the heavy duty Blue Seal range of equipment.

G91B

G56

GT45





G91 GAS GRILL

Efficient high speed infra-red burners.

Dual burner control left and right.

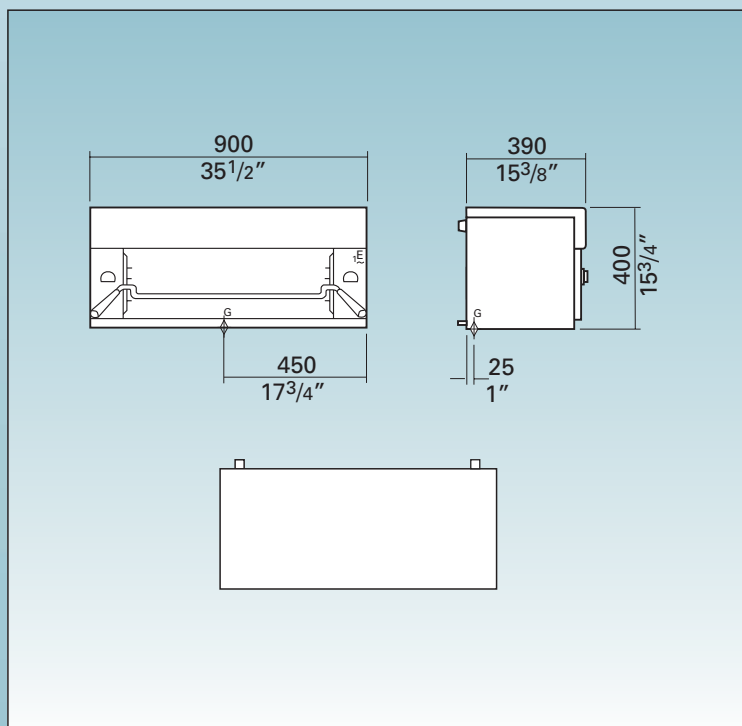
Wall or bench mounting.
(wall bracket included)

Finished in stainless steel and
vitreous porcelain enamel.

Flame failure and standing pilot.

Easy clean removable drip tray.

Complements the full range of
Blue Seal heavy duty cooking
equipment.



Specifications

Burners

2x4.2kW, total 8.8kW, 32MJ/hr, 30,000 Btu/hr

Dimensions

Width 900mm (35 1/2")

Depth 390mm (15 3/8")

420mm (16 1/2") with wall mounting bracket

Height 400mm (15 3/4")

Rack Dimensions

Width 620mm (24 3/8")

Depth 270mm (10 5/8")

Packing Data

0.26m³, 37kg

Gas Connection

1/2" BSP female, 450mm (17 3/4") from right side, 25mm (1") from rear



E91 ELECTRIC GRILL

Efficient high speed infra-red elements.

Dual element control left and right.

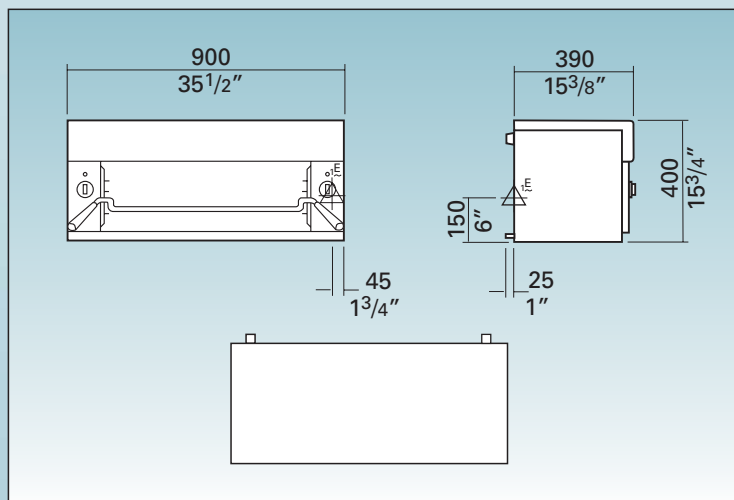
Powerful 6kw electrical rating.

Wall or bench mounting.
(wall bracket included)

Finished in stainless steel and vitreous porcelain enamel.

Easy clean removable drip tray.

Complements the full range of Blue Seal heavy duty cooking equipment.



Specifications

Elements

2x3 kW

Electrical Requirements

240V A.C. 1P+N+E, 25A

Dimensions

Width 900mm (35 1/2")

Depth 390mm (15 3/8")

420mm (16 1/2") with wall mounting bracket

Height 400mm (15 3/4")

Rack Dimensions

Width 620mm (35 1/2")

Depth 270mm (35 1/2")

Packing Data

0.26m³, 37 kg

Electrical connection

240V 1 phase hard wired via terminal block at back of unit 45mm (1 3/4") from right side and 150mm (6") from bottom of unit.



ISO9001

All Blue Seal products are designed and manufactured by Moffat using the internationally recognised ISO9001 quality management system, covering design, manufacture and final inspection, ensuring consistent high quality at all times.



www.blue-seal.co.uk

United Kingdom
Blue Seal Limited

Units 6-7 Mount St
Business Park
Birmingham B7 5QU
England
Ph 0121-327 5575
Fax 0121-327 9711
Email sales@blue-seal.co.uk
www.blue-seal.co.uk

Australia
Moffat Pty Limited

740 Springvale Rd
Mulgrave
Victoria 3170
Australia
Ph 03-9518 3888
Fax 03-9518 3833
Email vsales@moffat.com.au
www.moffat.com.au

New Zealand
Moffat Limited

16 Osborne St
PO Box 10-001
Christchurch
New Zealand
Ph 03-389 1007
Fax 03-389 1276
Email sales@moffat.co.nz
www.moffat.co.nz

U.S.A
Moffat Inc

3765 Champion Boulevard
Winston-Salem
North Carolina 27105
Call Free 1800 551 8795
Ph 336-661 0257
Fax 336-661 9546
Email sales@moffat.com
www.moffat.com