






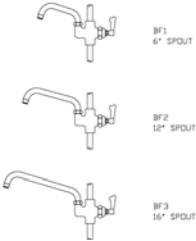

## PRE-RINSE SPRAY UNITS

### AquaJet

Fully assembled, pressure tested, ready-to-install pre-rinse spray units

- WRAS approved
- Variety of choices to suit each application
- Super strong, food-grade, high-flow water hose
- Pre-assembled, ready-to-install – saves time on site
- Assembled models – Factory tested for Quality Assurance
- Complete spares available, fitting most brands of pre-rinses on the market
- Restraining device available (AJ PR RS) to prevent hose from overstretching into basin – helps meet Water Board regs & reduce abuse
- Levers, as standard, cross-heads available at no extra cost (indicate "X" if cross heads preferred)
- Optional bowl fillers & accessories
- Choice of water-dispensing guns
- Backed up by Mechline warranty



Deck-Mounted Models	Rear-Mounted Models
 <p><b>AJ-PR-10</b> Single water feed, single pedestal, deck-mounted</p> <p>Options available:</p> <ul style="list-style-type: none"> <li>- Additional bowl-filling faucet</li> <li>- Restraining cable</li> <li>- Choice of water-dispensing guns</li> <li>- Cross-heads</li> </ul>	 <p><b>AJ-PR-15</b> Single water feed, single pedestal, rear-mounted</p> <p>Options available:</p> <ul style="list-style-type: none"> <li>- Additional bowl-filling faucet</li> <li>- Restraining cable</li> <li>- Choice of water-dispensing guns</li> <li>- Cross-heads</li> </ul>
 <p><b>AJ-PR-20</b> Two water feed, single pedestal, deck-mounted</p> <p>Options available:</p> <ul style="list-style-type: none"> <li>- Additional bowl-filling faucet</li> <li>- Restraining cable</li> <li>- Choice of water-dispensing guns</li> <li>- Cross-heads</li> </ul>	 <p><b>AJ-PR-40</b> Two water feed, dual pedestal, rear-mounted</p> <p>Options available:</p> <ul style="list-style-type: none"> <li>- Additional bowl-filling faucet</li> <li>- Restraining cable</li> <li>- Choice of water-dispensing guns</li> <li>- Cross-heads</li> </ul>
 <p><b>AJ-PR-30</b> Two water feed, dual pedestal, deck-mounted</p> <p>Options available:</p> <ul style="list-style-type: none"> <li>- Additional bowl-filling faucet</li> <li>- Restraining cable</li> <li>- Choice of water-dispensing guns</li> <li>- Cross-heads</li> </ul>	<p><b>Options available:</b></p> <ul style="list-style-type: none"> <li>- Additional bowl-filling faucet                             <ul style="list-style-type: none"> <li>o Models: BF1, BF2 or BF3</li> </ul> </li> <li>- Restraining cable</li> <li>- Cross-head or levers</li> <li>- Water dispensing guns                             <ul style="list-style-type: none"> <li>o Models: A, F or W</li> </ul> </li> </ul>  

---

## Wall-Mounted Models

---

### Aquajet 50 - Heavy-Duty, Mis-Use Resistant

---



AJ-PR-50

Single Water Feed, Fully Assembled, Pressure Tested, Ready-to Install

- Designed for particularly demanding kitchens.
  - High-flow capacity.
- Built-in restraining device.

---

### Aquajet Retractable, Wash-Down Hoses

---

- Open-reel design
- Choice of 3 different spray heads
  - Rose-Head Shower (comes as standard)
  - Fan Blade
  - Heavy-duty
- 5-metre hose
- Robust, wall-mounted design
- Maximum water pressure: 8 bar
- Ratchet lock-off on hose

---

Standard Finish



[M RK5 SSG](#)  
Standard Rose-Head  
Patterned gun

---

[M RK5 FBG](#)  
Fan Blade gun

---

[M RK5 HDG](#)  
Heavy-duty water gun (shown)

---

Stainless Steel Finish



[M SRK5 SSG](#)  
Standard Rose-Head  
Patterned gun

---

[M SRK5 FBG](#)  
Fan Blade gun

---

[M SRK5 HDG](#)  
Heavy-duty water gun (shown)

**JustCatering.Com**

Distributed By JustCatering.Com Ltd

10 Jessop Av, Norwood Green, Middlesex, UB2 5UY, UK

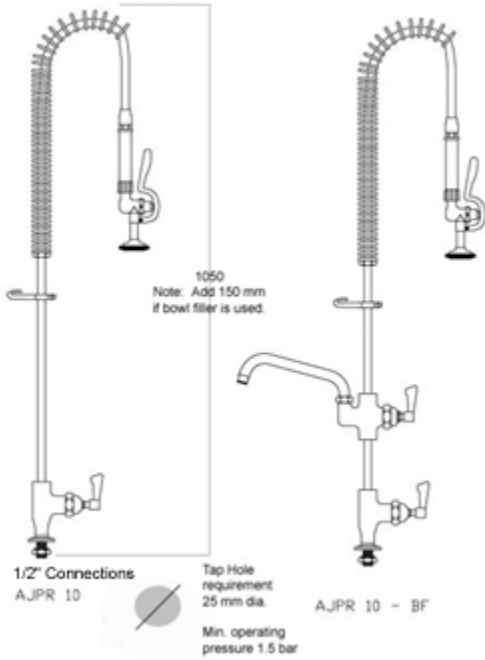
Tel: +44 (0) 845 0034271 Direct line +44 (0) 7006342365

Email [sales@justcatering.com](mailto:sales@justcatering.com) Web site [www.justcatering.com](http://www.justcatering.com)

# Pre-Rinse Spray Units Dimensions

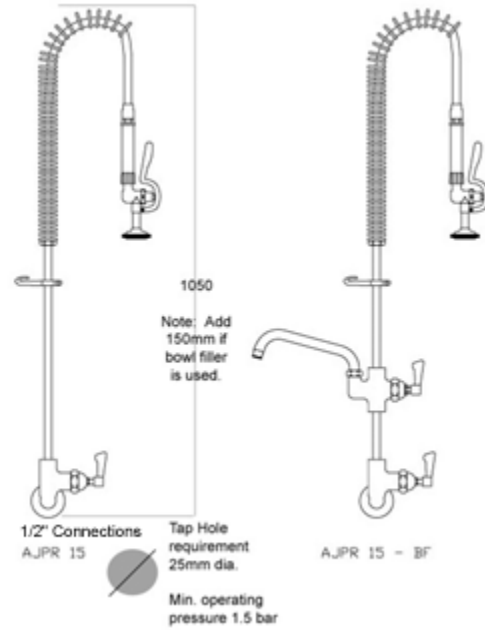
## Deck-Mounted Models

AJ-PR-10

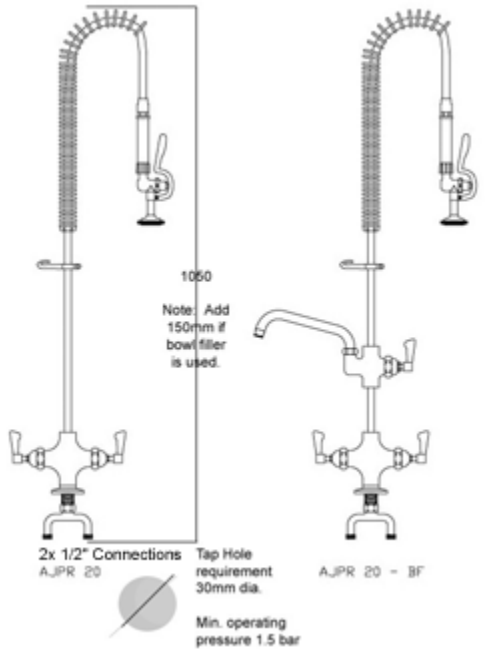


## Rear-Mounted Models

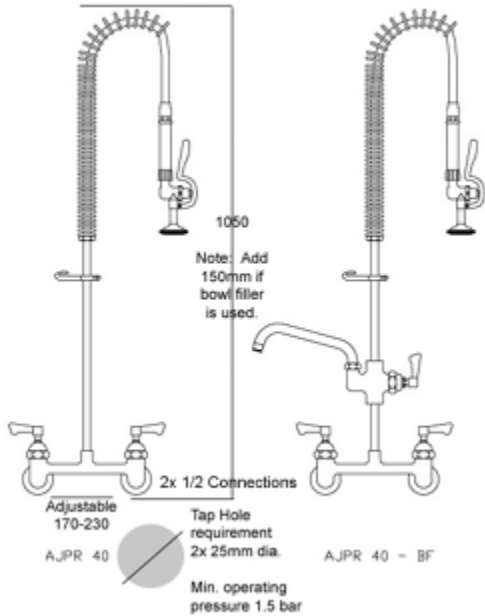
AJ-PR-15



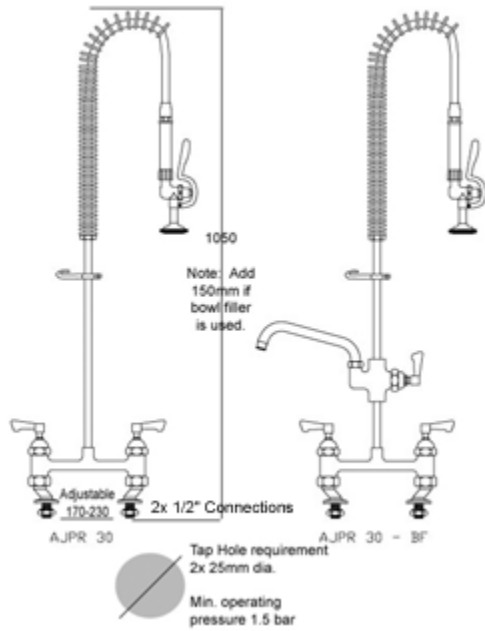
AJ-PR-20



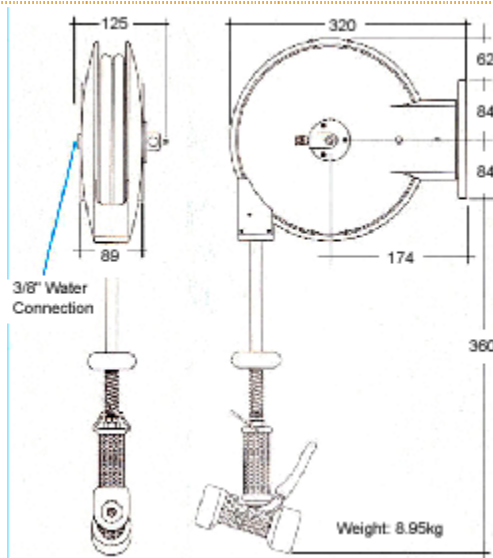
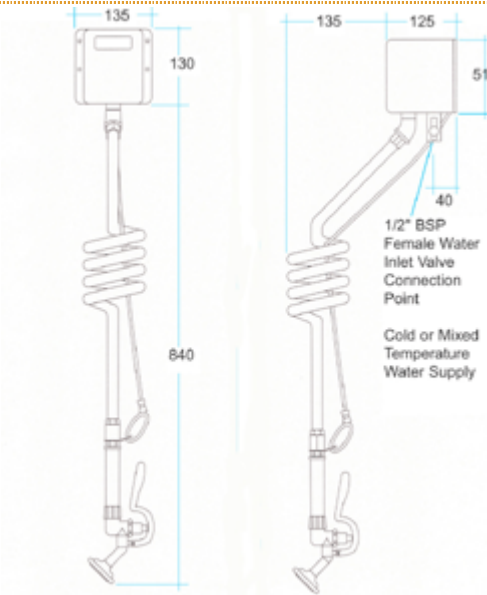
AJ-PR-40



AJ-PR-30



AJ-PR-50



**JustWaste.Com**

Distributed by JustCatering.Com Ltd  
 10 Jessop Avenue, Norwood Green, Middlesex, UB2 5UY, UK  
 Tel & Fax: +44 (0)8450034270 Sales Direct Line: 07006342364  
 E-mail: sales@justwaste.com Web: <http://www.justwaste.com>



To see more products from Mechline, visit [www.mechline.com](http://www.mechline.com)

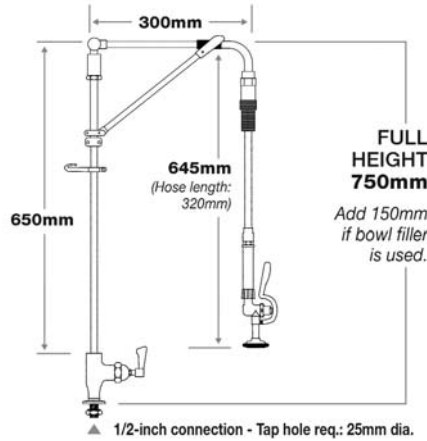
# AquaJet "Hangman" Units - Fully Factory Assembled & Tested

Polished Chromed brass • Inbuilt check valves • 300mm Swivel top arm, 360° rotation  
 • Swivel arm support • Water Hose consisting of an inner Polyester PVC hose, with steel armoured outer hose • 300 mm, adjustable wall bracket

## DECK-Mounted Models\* - shown with STANDARD lever controls & Rose Head Gun

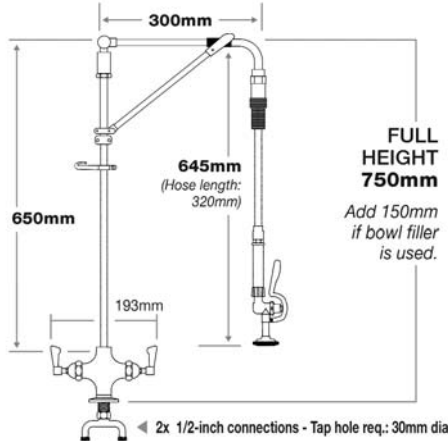
### AquaJet 10H Model: AJ-PR-10H

SINGLE pedestal,  
 SINGLE water feed



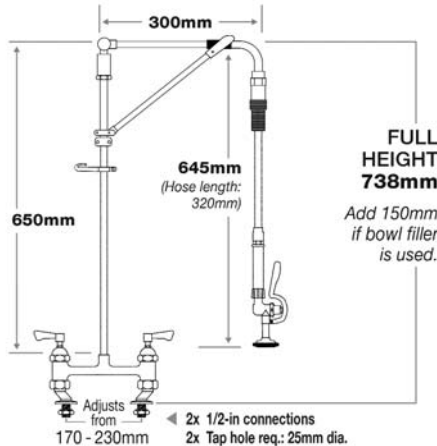
### AquaJet 20H Model: AJ-PR-20H

SINGLE pedestal,  
 TWIN water feed



### AquaJet 30H Model: AJ-PR-30H

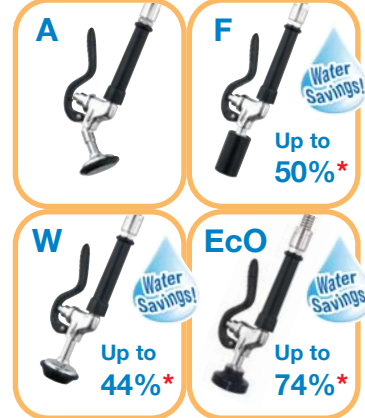
TWIN pedestal,  
 TWIN water feed



### OPTIONS Model:

#### Spray Guns:

- Angled Head Suffix model number with: **A**
- Fan Blade Head Suffix model number with: **F**
- Water Saving Head Suffix model number with: **W**
- "Super" Water Saving Head Suffix model number with: **EcO**



\*At 4 bar on AJPR30 models.

#### Bowl Filling Faucets:

- 6-inch BF1
- 12-inch BF2
- 16-inch BF3



#### Alternative Tap Control:

- Cross Heads Suffix model number with: **X**
- X**
- Lever or Cross Head?**  
 Your choice  
 - No extra charge

\*Panel-Mounted models are available, if preferred. Contact Mechline for more information.



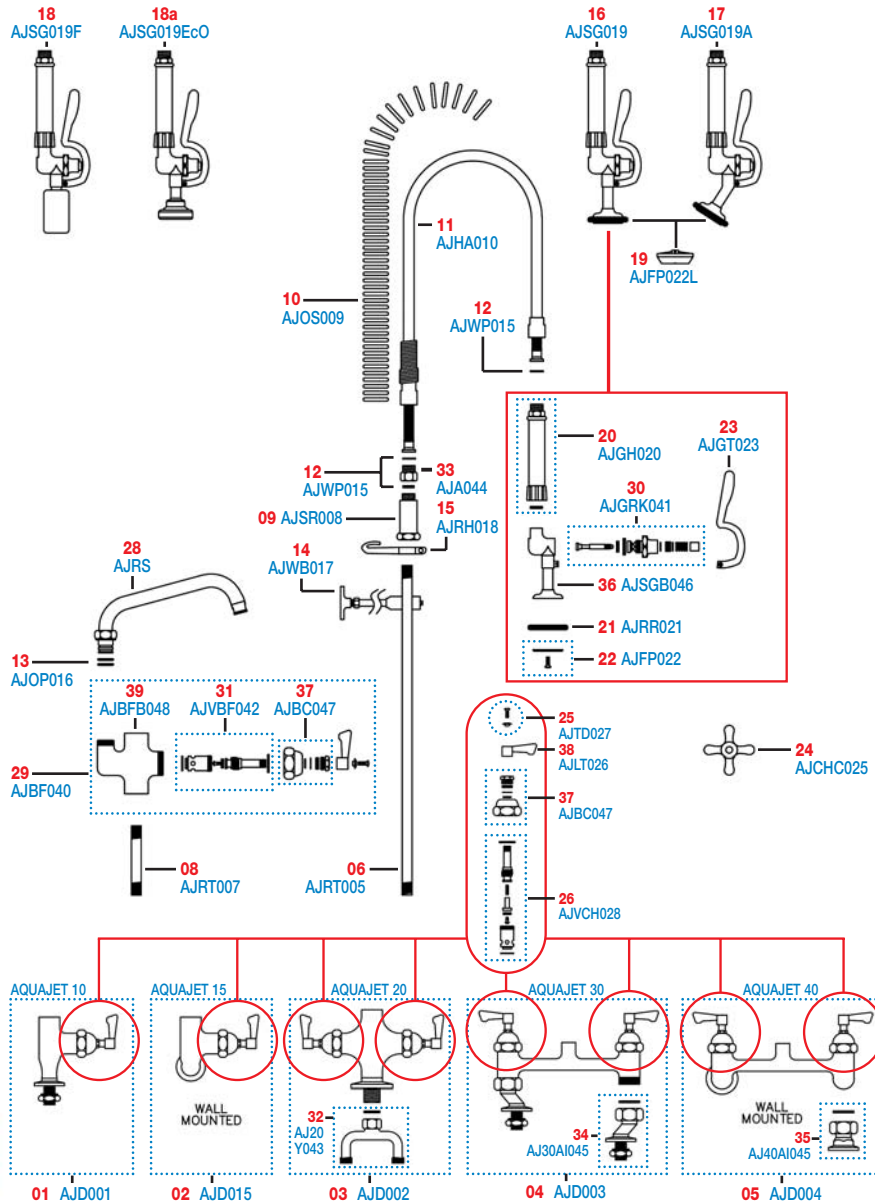
= Enjoy significant water savings

# AquaJet 10, 15, 20, 30 & 40 Spare Parts



1AJ, p.5

\*Note: Items 11, 16, 17, 18, 18a, 20 & 33 are available as 1/2-inch BSP for an additional cost.



## Number (from exploded diagram) / Part Model

01	Pre-Rinse Spray Body Deck for AJ-PR-10	AJD001
02	Pre-Rinse Spray Body Deck for AJ-PR-15	AJD015
03	Pre-Rinse Spray Body Deck for AJ-PR-20	AJD002
04	Pre-Rinse Spray Body Deck for AJ-PR-30	AJD003
05	Pre-Rinse Spray Body Deck for AJ-PR-40	AJD004
06	500mm Riser	AJRT005
07	350mm Riser	AJRT006
08	100mm Riser	AJRT007
09	Spring Retainer	AJSR008
10	Outer Support Spring	AJOS009
11	Complete Inner & Outer Hose Assembly, approx 38-inch c/w End Fittings	AJHA010*
12	Hose Assembly Washer Pack (3 washers)	AJWP015
13	Spout "O" Ring Pack (2 x "O" rings)	AJOP016
14	Wall Bracket (Length: 300mm; dia. 17.15mm) NB: Double Length Bracket available	AJWB017 AJWB017-DLB
15	Riser Hook for Pre-Rinse Spray Head	AJRH018
16	Complete Pre-Rinse Spray Gun Assembly Standard Rose Head	AJSG019*
17	Complete Pre-Rinse Spray Gun Assembly Angled Rose Head	AJSG019A*
18	Complete Pre-Rinse Spray Gun Assembly Fan Blade Head	AJSG019F*
18a	Complete Pre-Rinse Spray Gun Assembly Eco "Super" Water Saving Head	AJSG019Eco*
19	Water Saving Face Plate (for Standard Rose Head & Angled Rose Head Guns only)	AJFP022L
20	Spray Gun Handle & Washer	AJGH020*
21	Rubber Ring	AJRR021
22	Faceplate & Screw	AJFP022
23	Trigger (includes screw)	AJGT023
24	Cross Head Tap: Chrome	AJCHC025
25	2 Red, 2 Blue Inserts & 2 Screws	AJTD027
26	1 Valve Body (fits hot on Lever Head Body or hot & cold on Cross Head Body)	AJVCH028
27	1 Valve Body (fits cold ONLY) for Lever Head Body	AJVC029
28	Replacement Spouts:	
	6-inch	AJRS031
	6-inch Gooseneck	AJRG032
	12-inch	AJRS035
	16-inch	AJRS037
	18-inch Double Jointed	AJRS038
29	Bowl Filler Body	AJBF040
30	Spray Gun Valve Repair Kit	AJGRK041
31	1 Valve Body (for bowl filler ONLY)	AJVBF042
32	AJ-PR-20 Brass Yoke & Washer	AJ20Y043
33	Hose Adapter	AJA044*
34	AJ-PR-30 Adjustable Inlet & Washer (sold individually)	AJ30AI045
35	AJ-PR-40 Adjustable Inlet & Washer (sold individually)	AJ40AI045
36	Spray Gun Body ONLY	AJSGB046
37	Valve Bonnet & Packing Gland	AJBC047
38	Pair (H&C) 63mm Chrome Lever Note: Replacement Cold Valve AJVC029 also required	AJLT026
39	Bowl Filler Body ONLY (no valve assembly)	AJBFB048

\*Note: 1/2-inch BSP versions available at extra cost.

