

AJPR50 HEAVY-DUTY Wall-Mounted Pre-Rinse Spray

Product / Description	Model
-----------------------	-------



AquaJet 50 - MIS-USE RESISTANT

Sturdy, wall-mounted, **single water feed** unit with **angled, heavy-duty hose and gun**, complete **inbuilt restraining wire** and gun hook. **AJ-PR-50**



AJPR50 in the 'stored' position (water-saving face plate shown)

AquaJet 50 is a wall-mounted, **pre-rinse spray, complete with a wipe-clean, coiled polyurethane high-flow water hose, angled spray gun & restraining device.**

When connected to a potable water supply, it **can be used to rinse and wash vegetables and food.** Restraining device is designed to make the unit **"mis-use" resistant** to prevent overstretching of the pre-rinse & ensure longevity of life. Fully assembled, **factory pressure and flow tested, minimising installation time.** Single water feed with inbuilt isolation valve.

Consider adding mixer taps for a complete dishwashing package, or fit a mixing valve for a mixed water supply.

Guaranteed against manufacturing defects.

Features & Benefits

- WRAS listed
- Meets WRC backflow prevention requirements
- Can be used as pre-rinse for dirty dishes or food washing and rinsing applications
- Easy to clean and service
- Integral restraining cable prevents overstretching and spray gun contact with dish water
- Coiled hose absorbs the wear and tear from twisting the gun
- Wall-mounting keeps the sink deck clear
- Big bore delivery hose produces excellent spray pattern
- Save up to 25% in water when fitted with water-saving face plate option, at no extra cost

When connected to a potable water supply, the AJPR50 is **ideal for rinsing and washing vegetables & other food.**



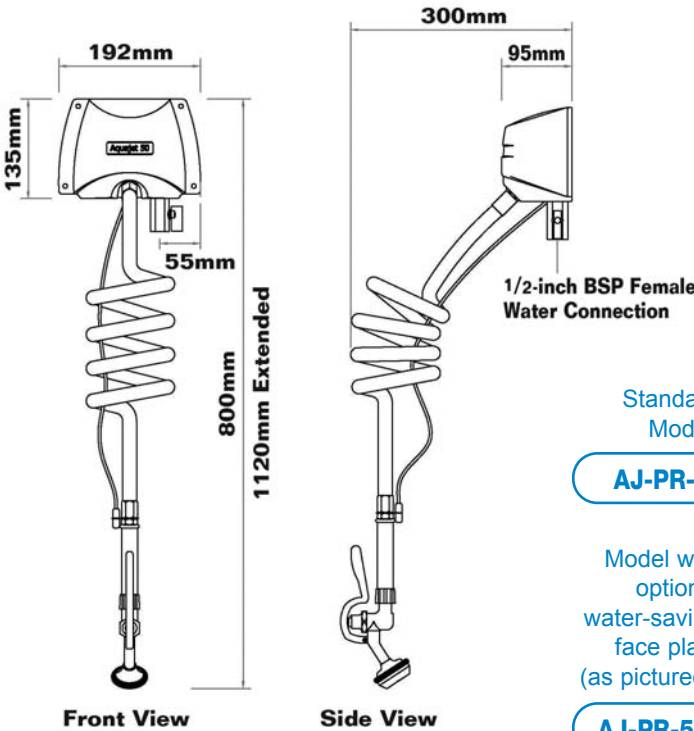
Consider fitting with the optional **water-saving face plate** to **enjoy up to 25% water savings! No extra cost.** **AJ-PR-50-W** **No extra cost.**

Delivery is charged at the prevailing rate. Prices exclude VAT at the prevailing rate. The Company reserves the right to alter prices without notice. Please confirm this is the most current Price when placing your order. (See issue number at the top of the page to confirm most current price.)

AJPR50 - Technical Information - Fully Factory Assembled & Tested

"Mis-Use" Resistant Pre-Rinse Spray for pre-rinsing dishes or for rinsing and washing vegetables & other food (when connected to a potable water supply).

- Connection size:**
1/2-inch BSP (female)
- Max. water pressure:**
75psi (5 bar)
- Min. water pressure:**
22.5psi (1.5 bar)
- Max. water temperature:**
131°F (55°C)



Standard Model:
AJ-PR-50

Model with optional water-saving face plate (as pictured):
AJ-PR-50-W



AJPR50 in the 'stored' position:



Choose from a great range of optional extras...

The AJPR50 (AquaJet 50) is **ideal for pre-rinsing dishes** before they're loaded in dishwashers. And when connected to a potable water supply, it is **excellent for rinsing and washing food**.

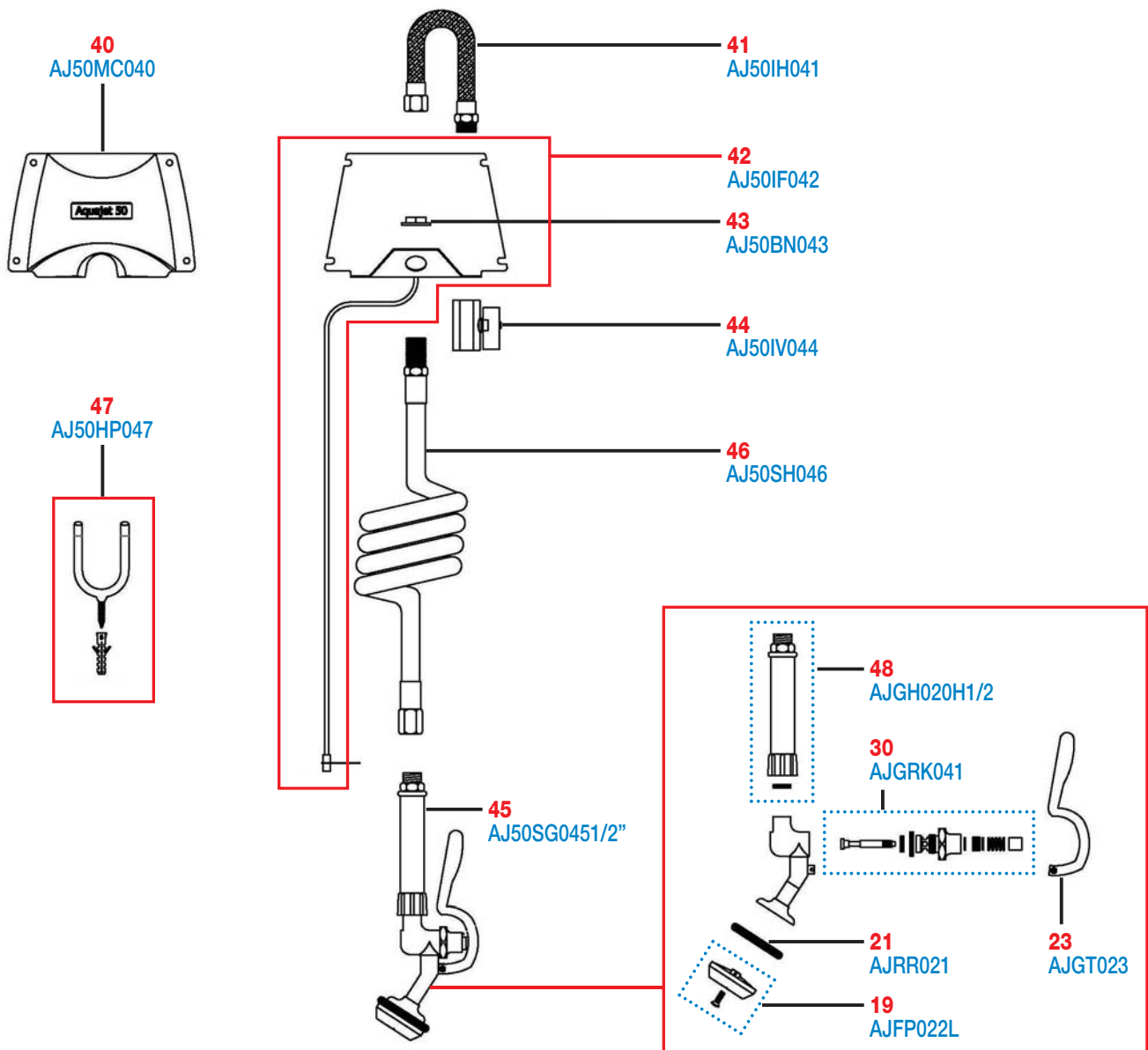
Consider adding a mixer tap for a complete dishwasher package! And, if a mixed water supply on the AJPR50 is preferred, **consider adding a mixer valve**.



Dimensions shown in mm unless otherwise stated. Information and numerical data has been prepared as a general guide to the products but intending buyers & users must satisfy themselves as to the suitability and safety of the products for their particular purposes & duties. No responsibilities are assumed for errors herein. The company reserves the right to alter designs and specifications of the products without notice.

AJPR50 Spare Parts

Number (from exploded diagram) / Part	Model	List Price
40 Moulded Cover	AJ50MC040	£32.63
41 Inner Hose	AJ50IH041	£5.42
42 Inner Fabrication with Restrainer	AJ50IF042	£34.98
43 Coiled Hose Backnut	AJ50BN043	£2.72
44 Ball Valve (complete)	AJ50IV044	£12.36
45 Angled Gun (1/2-in BSP)	AJ50SG0451/2	£54.11
46 Coiled Hose	AJ50SH046	£42.78
47 Gun Handle Hook	AJ50HP047	£8.90
48 Spray Gun Handle & Washer (1/2-in BSP)	AJGH020H1/2	£9.76

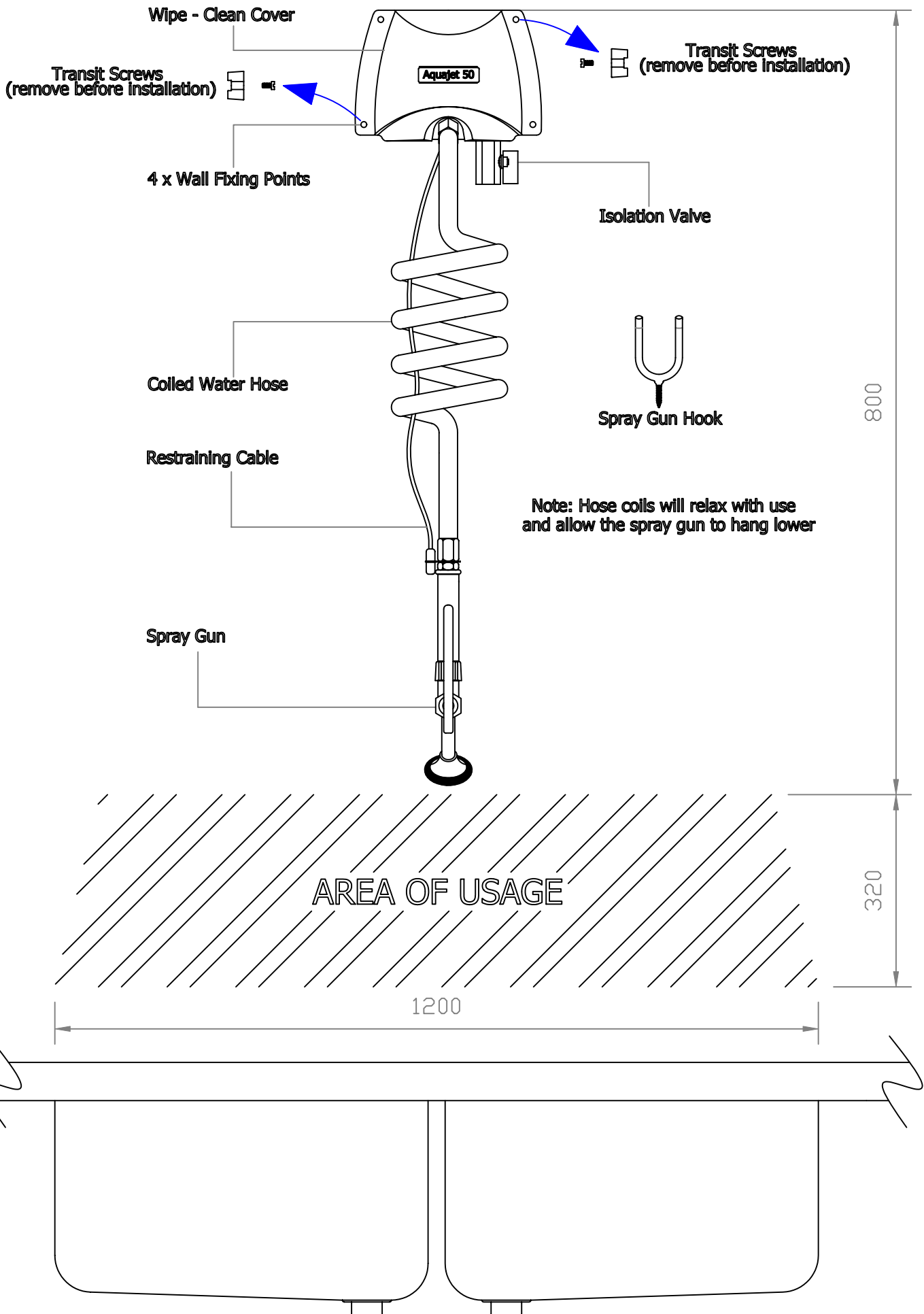


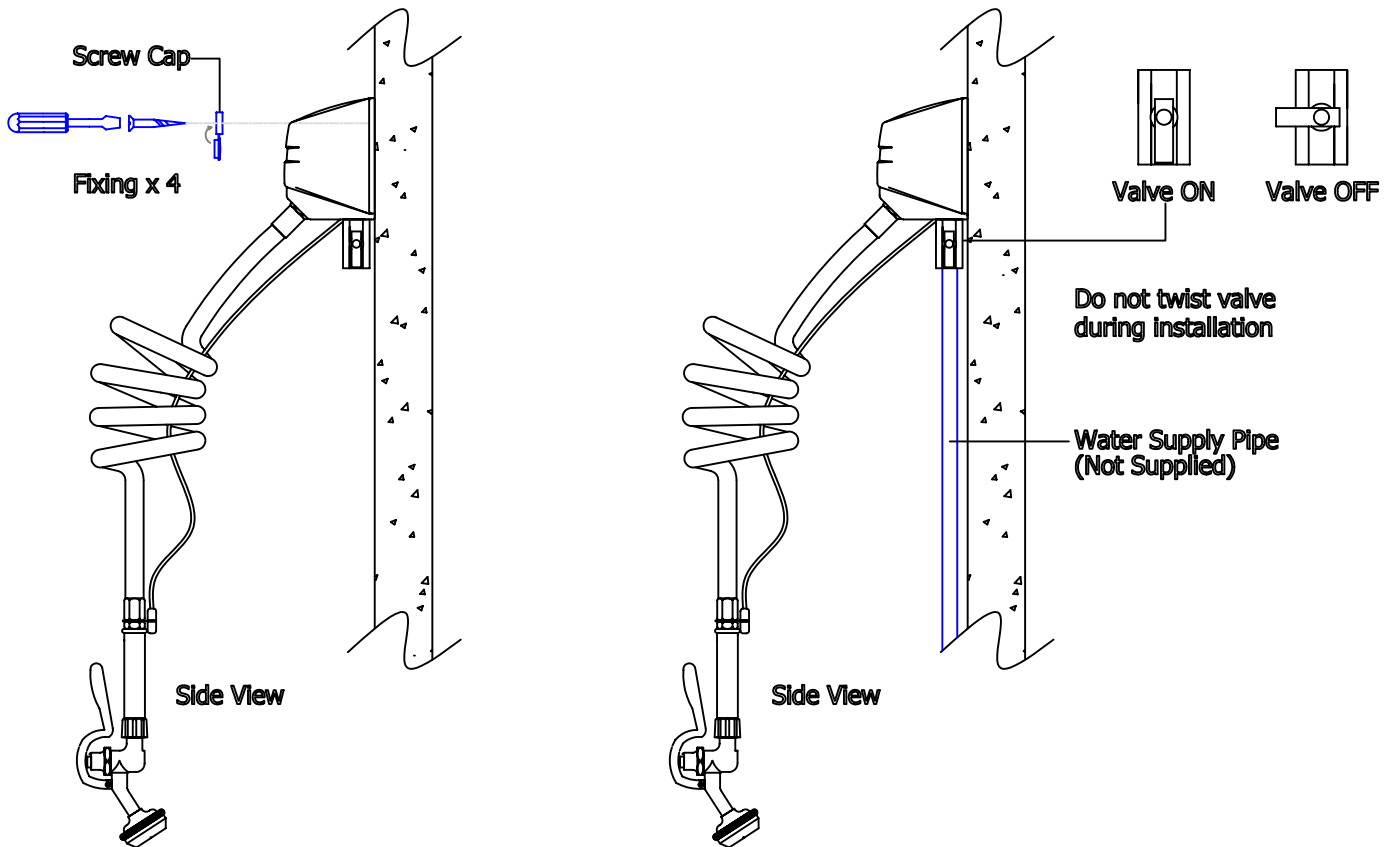
JustWaste.Com

Distributed by JustCatering.Com Ltd
 10 Jessop Avenue, Norwood Green, Middlesex, UB2 5UY, UK
 Tel & Fax: +44 (0)8450034270 Sales Direct Line: 07006342364
 E-mail: sales@justwaste.com Web: http://www.justwaste.com

AJPR50-2 INSTALLATION AND OPERATION INSTRUCTIONS

Leave with the operator after installation



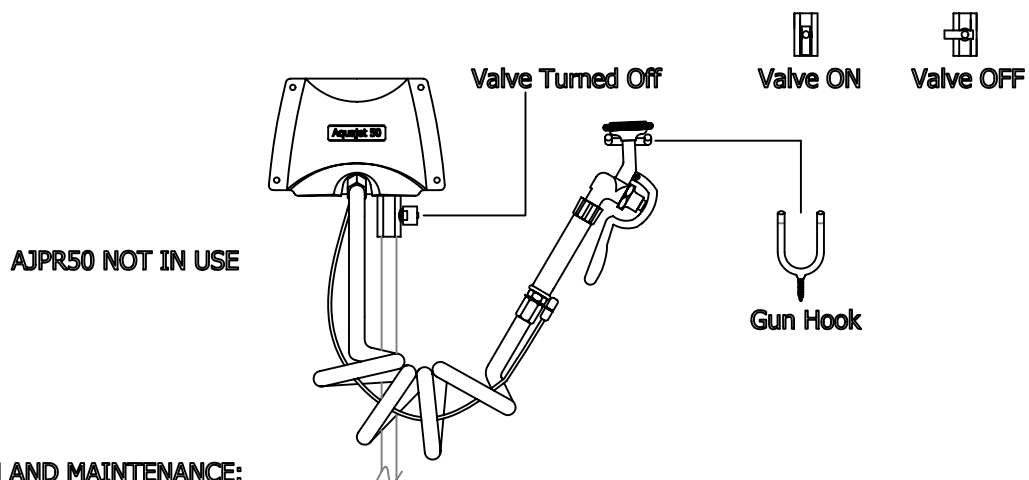


1. Securely fix the wall box to a solid wall surface using appropriate fixings. If possible, use the screw caps supplied.

2. Connect the water supply pipe to the isolation valve (1/2") Max. water pressure 75psi (5 bar) Max water temperature 131 deg f (55 deg C)

Installation must be in accordance with local authority regulations. All debris must be flushed clear of the pipework prior to connection once installation is complete. Install at sufficient height to ensure the spray gun cannot be pulled below the overflow level of the sink. When deciding on the appropriate fixing height, remember that the hose coils will relax with use and allow the gun to hang slightly lower.

3. The Gun Hook is used to store the gun out of the way when not in use. Install in an appropriate position that is convenient for the operator.



OPERATION AND MAINTENANCE:

ENSURE ISOLATION VALVE IS ALWAYS TURNED OFF WHEN UNIT IS NOT IN USE (SEE DRAWING ABOVE)
To clean the AJPR50, wipe over with clean water using a clean disposable cleaning cloth. Avoid the use of abrasive cleaning agents or detergents or chemicals. Do not over - extend or twist the coiled water hose or gun.

JustCatering.Com

10 Jessop Avenue, Norwood Green,
Middlesex, UB2 5UY, UK
Tel/Fax: +44 (0)8450 034271
Sales: 070 06342365
E-mail: sales@justcatering.com
Web: <http://www.justcatering.com>

MECHLINE