



The METCALFE 10lb (4.5Kg) and 15lb (6.8Kg) Potato Peeling Machines are constructed from non-corrosive aluminium alloy castings, with the spindle housing and chute cast integrally, eliminating joints and possible leakage.

Available in blue hammer paint finish or in a burnished aluminium. The bench models may be mounted on our tubular pedestal for floor mounting installation, or on our mobile trolley, as illustrated on the right. The peelers comply with all relevant safety standards, and are designed for ease of maintenance, and cleaning. METCALFE offer a comprehensive guarantee and a responsive after sales service, catering for your every need.

GUARDED DISCHARGE CHUTE
(Patent no: 2013815)

As designers and patent holders of the GUARDED DISCHARGE CHUTE we are pleased to confirm that our innovation is in full compliance with the requirements of the Health and Safety at Work Act, 1974. The guard protects the operator by allowing the door to the chamber to be opened which simultaneously stops hand access through the door aperture whilst the machine is working.



2/01

Stockists

JustCatering.Com

METCALFE

10lb (4.5Kg) and 15lb (6.8Kg)

BENCH AND PEDESTAL POTATO PEELING MACHINES



Illustrated are the METCALFE '10' bench model potato peelers. Guarded Discharge Chute available as an optional extra. A '15' model is also available.



Peeler with pedestal



Peeler with trolley

METCALFE CATERING EQUIPMENT LTD.
Haygarth Park · Blaenau Ffestiniog · Gwynedd LL41 3PF · UK
Tel: 01766 830456
Fax: 01766 831170
Email: enquiries@metcalfecatering.demon.co.uk

METCALFE MODEL 10/15

Bench and Pedestal Potato Peeling Machines

SPECIAL FEATURES INCORPORATED

LUBRICATION. There are no oiling or greasing points and NO LUBRICATION is required. All bearings are grease packed and permanently sealed.

ROTOR PLATE. Coated on both sides, doubling the life of the rotor plate. One side is coated with fine grained abrasive for new potatoes, and the other side coarse grained for old potatoes.

PEELING CHAMBER. The inside wall of the peeling chamber has cast-in abrasive serrations (Patent no: 1.016.390) which dispense with the need for abrasive coating. It has been proved that there is considerably less loss of potato, both during peeling and boiling, when peeled in this type of machine. There is no difference in peeling time and the efficiency of the serrations will last the life of the machine.

There are many advantages with METCALFE peelers such as the peeling chamber never needing recoating, therefore machines are never out of action whilst this is being done, and all additional expenses involved such as transport and loan of machines are eliminated. This feature is exclusive to our machines, and has been thoroughly tried and approved by various Ministry Departments, Education Authorities and other major establishments in the UK.

CLEANING. Top casting is removable without tools, so that the rotor plate can be lifted out. Turn on water and the complete machine is flushed clean.

FINISH. The machines are finished in high gloss hard enamelled mayfair blue hammer. The top casting is a highly polished stain resisting aluminium alloy casting, preventing chipped paintwork when filling.

WATER INLET. Hose union with nozzle and provision for fitting on either side.

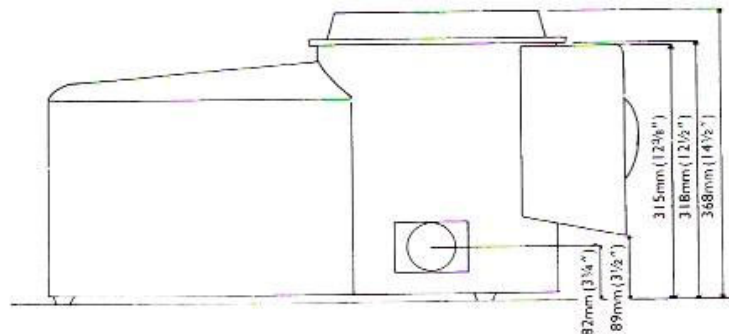
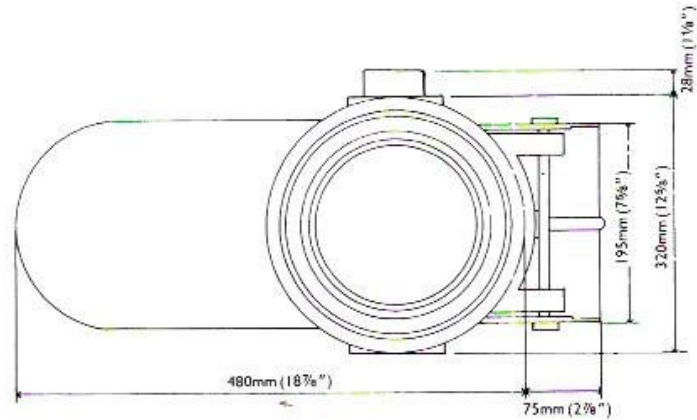
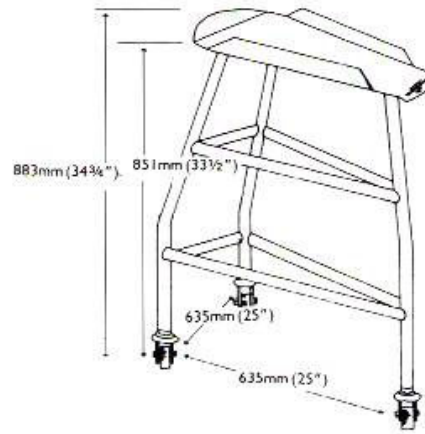
WATER OUTLET. Tapped 1/2" B.S.P. ready for waste pipe to be connected. Provision for fitting on either side.

MOTOR AND TRANSMISSION. Vee belt driven for noiseless transmission, with provision for belt tensioning if required.

Metcalfe '10' - 1/4 h.p. Motor (180 watts)
Metcalfe '15' - 1/2 h.p. Motor (250 watts)

WASTE DISPOSAL ADAPTOR. Dispenses with the need for interceptors so that the waste pipe can be connected direct to the drain. The adaptor is supplied complete and gives an additional water supply to the waste outlet to flush away the sludge. Water Byelaws Scheme - Approved product when connected to water header tank. (Optional Extra).

INTERCEPTOR. We can supply an external interceptor with tank and basket; a sink basket only; or a length of waste pipe with elbow and coupling, if required. (Optional Extra).



	Overall height	Height of peeling chamber	Weight
METCALFE '10'	37cm (14 1/2")	32cm (12 1/2")	27Kg (60lb)
METCALFE '15'	45cm (17 1/2")	39cm (15 1/2")	30Kg (66lb)

All dimensions for machines without guarded discharge chute are shown, but guard will protrude from end of chute by 12.6cm (5"). Overall height of pedestal giving discharge chute at 94cm (37") is 89cm (35").

NOTE. Specifications of METCALFE '10' and METCALFE '15' are similar except for overall height, height of peeling chamber and weight.

